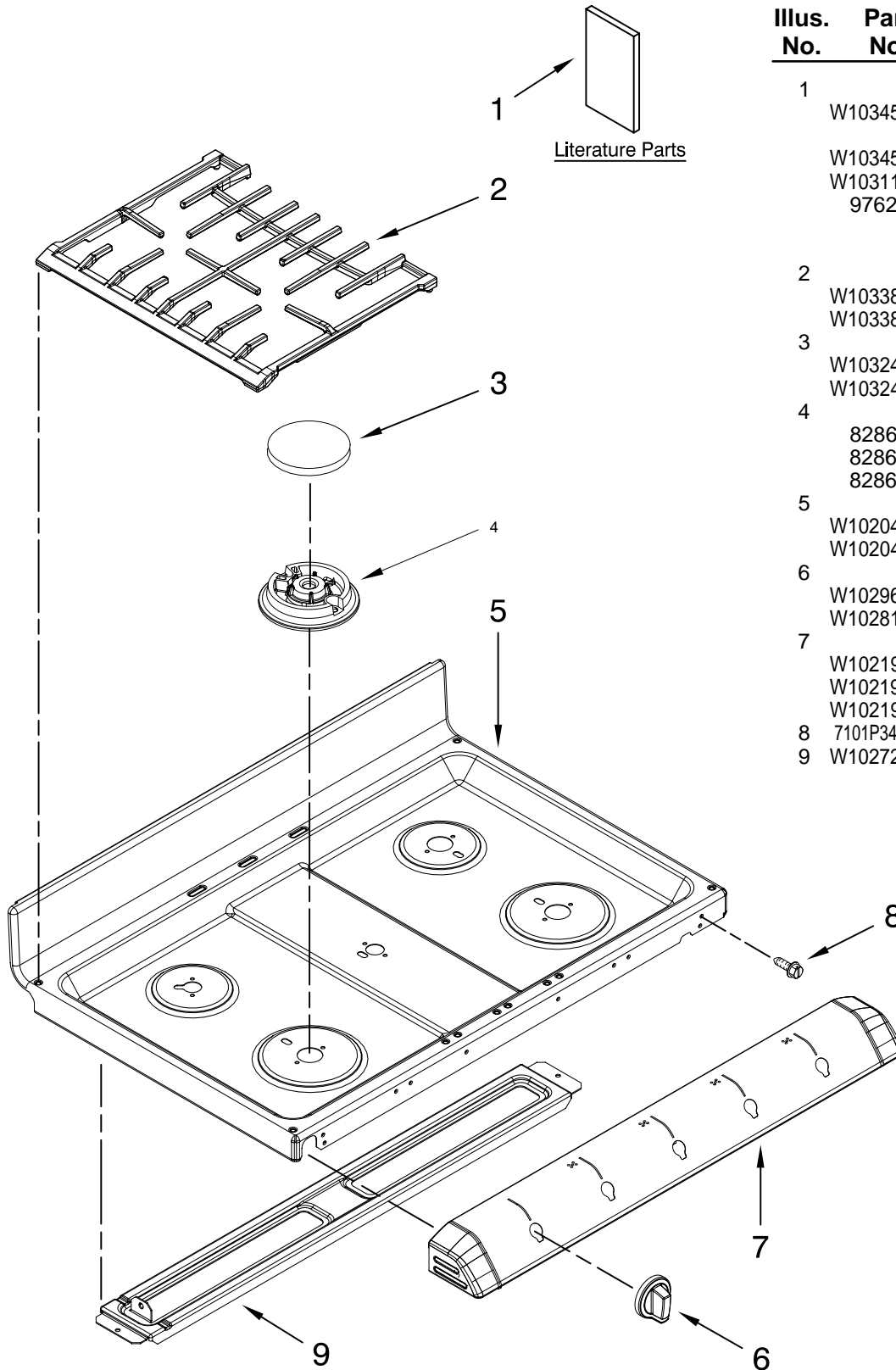


## COOKTOP PARTS

For Models: MGT8775XB01, MGT8775XW01, MGT8775XS01  
 (Black) (White) (Stainless)

30" ELECTRIC FREESTANDING  
 SELF CLEAN RANGE  
 NON-CONVECT

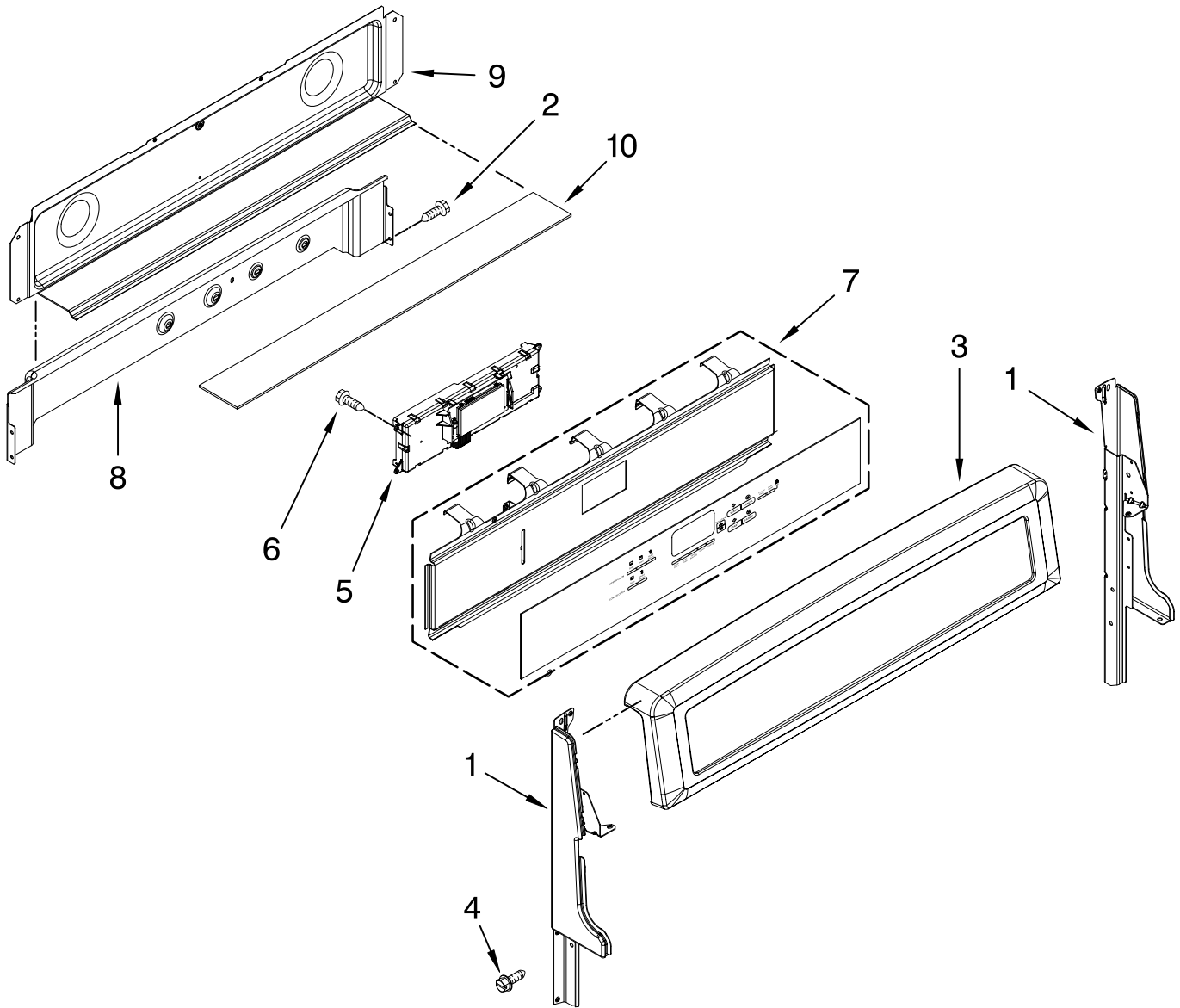


Illus. No.	Part No.	DESCRIPTION
1	W10345639	Literature Parts
		Installation Instructions
	W10345641	Owners Manual
	W10311749	Tech Sheet
	9762761	Tips, Brochure
		Safe Cooking
2		Kit, Grates
	W10338216	Black
	W10338217	Gray
3		Kit, Burner Cap
	W10324251	Black
	W10324252	Gray
4		Burners
	8286181	Left Rear
	8286182	Right Front & Rear
	8286183	Left Front
5		Cooktop
	W10204721	Black
	W10204722	White
6		Knob
	W10296917	Black
	W10281279	White
7		Panel, Manifold
	W10219243	Black
	W10219244	White
	W10219242	Stainless
8	7101P347-60	Screw
9	W10272357	Bracket, Cooktop Support

FOR ORDERING INFORMATION REFER TO PARTS PRICE LIST

# CONTROL PANEL PARTS

For Models: MGT8775XB01, MGT8775XW01, MGT8775XS01  
 (Black) (White) (Stainless)



Illus. No.	Part No.	DESCRIPTION
1	W10319109	Support, Backguard Black, Left
	W10319111	Support, Backguard Black, Right
	W10319110	Support, Backguard White, Left
	W10319112	Support, Backguard White, Right
2	7101P338-60	Screw

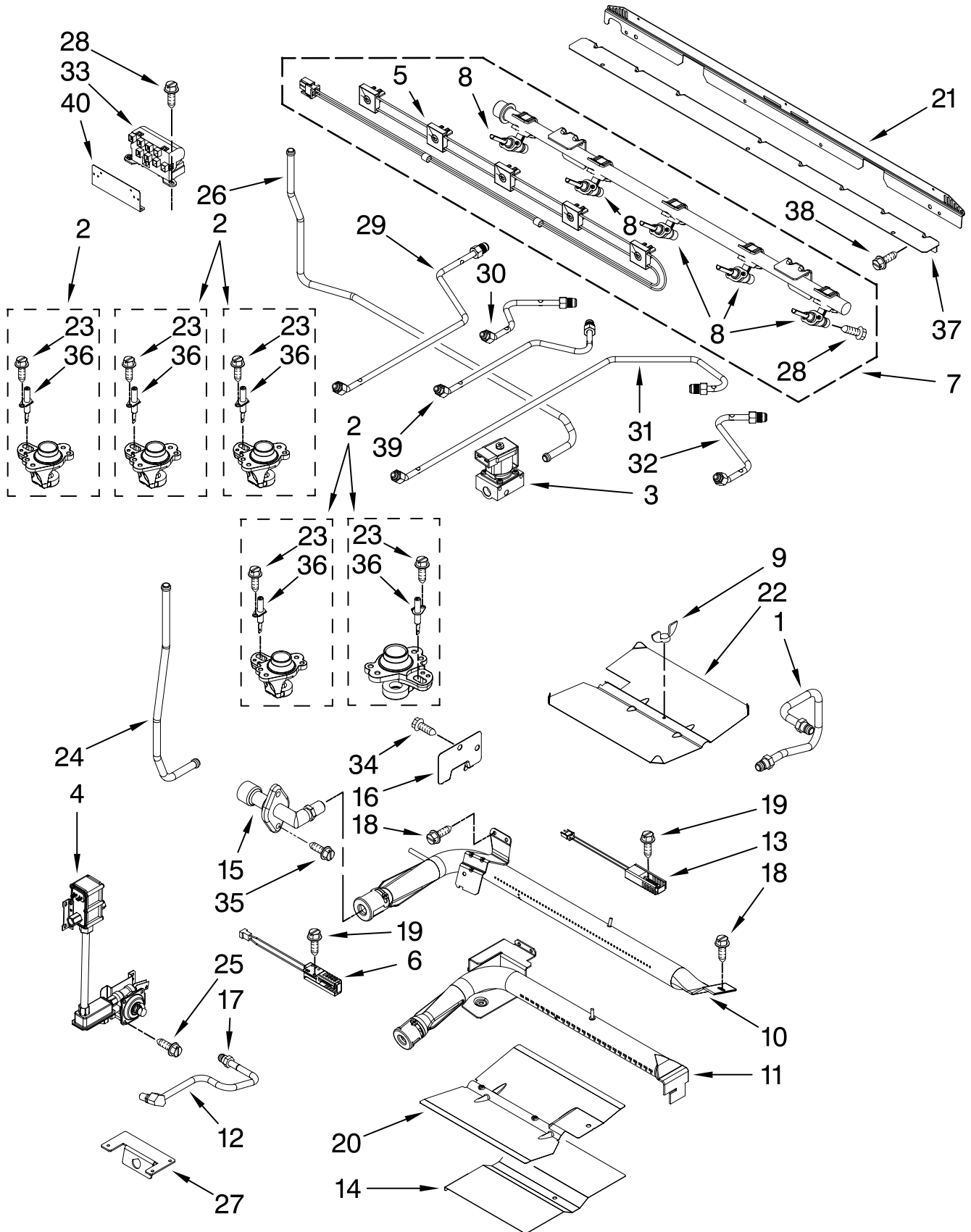
Illus. No.	Part No.	DESCRIPTION
3	W10097280	Console Black
	W10097270	Console White
	W10097310	Console Stainless
	7101P633-60	Screw
4	W10293890	Electric, Control
5	7101P500-60	Screw

Illus. No.	Part No.	DESCRIPTION
7	W10297700	Assy., Membrane (Incl. Bracket) Black
	W10321780	Assy., Membrane (Incl. Bracket) White
	W10297701	Assy., Membrane (Incl. Bracket) Stainless
	W10297707	Assy., Membrane (Incl. Bracket) Vent
8	W10296773	Cover, Backguard
9	W10309232	Insulation, Wire Cover

FOR ORDERING INFORMATION REFER TO PARTS PRICE LIST

# MANIFOLD PARTS

For Models: MGT8775XB01, MGT8775XW01, MGT8775XS01  
 (Black) (White) (Stainless)



FOR ORDERING INFORMATION REFER TO PARTS PRICE LIST

# MANIFOLD PARTS

For Models: MGT8775XB01, MGT8775XW01, MGT8775XS01

(Black)

(White)

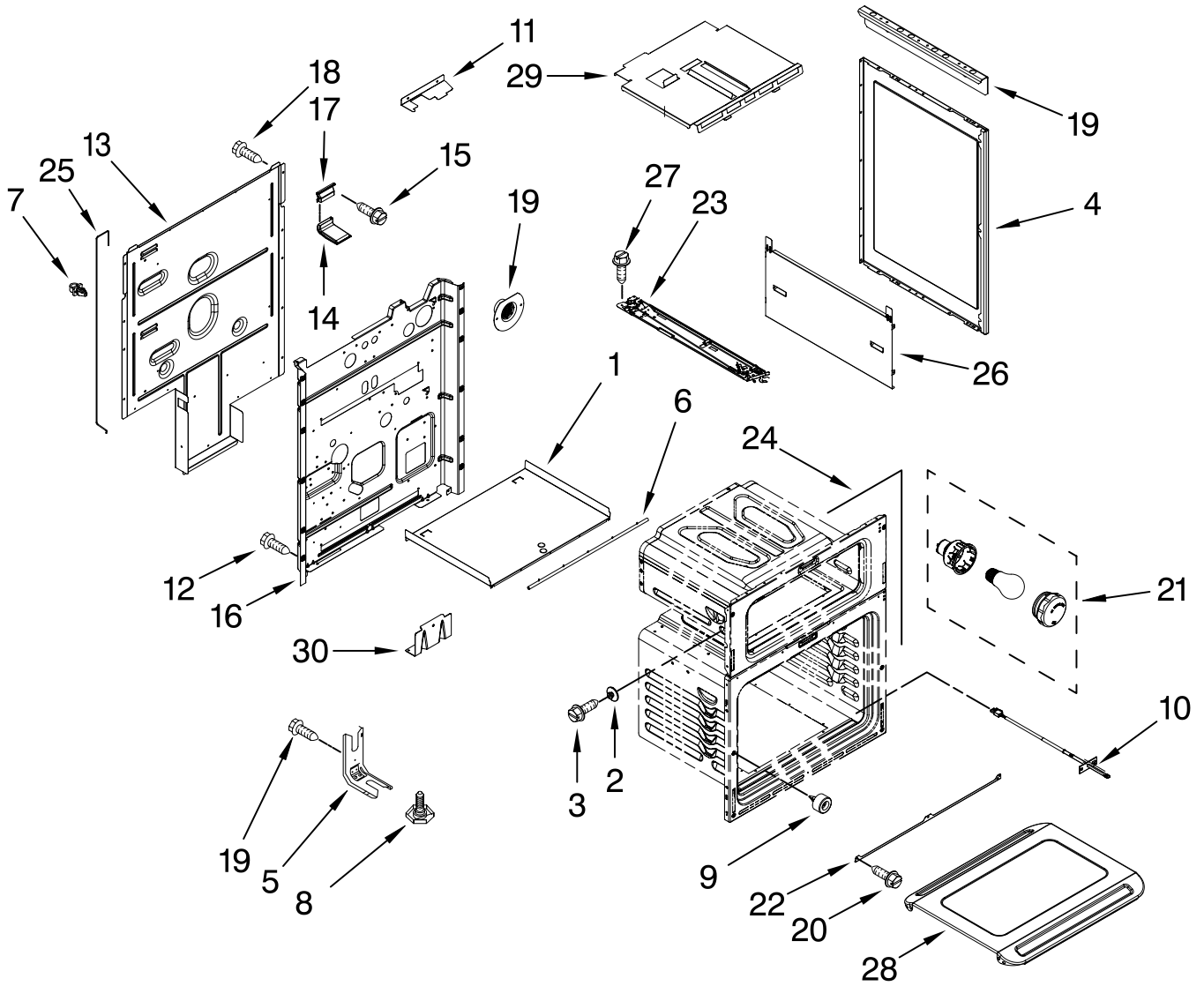
(Stainless)

Illus. No.	Part No.	DESCRIPTION	Illus. No.	Part No.	DESCRIPTION	Illus. No.	Part No.	DESCRIPTION
1	W10319002	Tubing, Broil	13	7432P143-60	Ignitor, Bake	28	8286182	Screw
2		Holder, Orifice	14	W10298865	Shield, Bake	29	W10367022	Tubing, LR
	W10407680	Left Rear & Center	15	W10292293	Fitting, Broiler	30	W10323463	Tubing, LF
	W10407681	Left Front	16	4005F421-45	Cover, Igniter	31	W10323467	Tubing, RR
	W10407679	Right Front & Rear	17	7103P195-60	Nut, Mounting	32	W10323466	Tubing, RF
3	9758382	Valve, Shut Off	18	7101P426-60	Screw	33	7431P053-60	Module, Spark
4	W10293834	Valve/Regulator	19	7101P282-60	Screw	34	7101P434-60	Screw
5	W10204718	Harness, Switch	20	W10272528	Baffle, Bake	35	7101P502-60	Screw, 10AB x .75
6	W10324738	Ignitor, Gas	21	W10343062	Bracket, Manifold RR Cover	36	W10407676	Ignitor
7	W10204703	Assembly, Pipe Manifold	22	3601F358-45	Baffle, Broil Burner	37	W10276466	Bracket, Manifold (Bottom)
8		Valves	23	7101P282-60	Screw, Igniter	38	7101P653-60	Screw
	W10206288	LF/LR/Center, 16K	24	W10295050	Tubing (Supply Regulator To Shutoff)	39	W10323465	Tubing, Center
	W10206287	RF/RR, 5K				40	W10319059	Bracket, Support (Spark Module)
9	7103P030-60	Nut	25	7101P635-60	Screw	Following Parts Not Illustrated		
10	W10315768	Burner, Broiler	26	W10295055	Tubing (Supply Shutoff To Manifold)	W10328517		Kit, LP Conversion
11	W10272526	Burner, Bake				W10324646		Insulation, Orifice
12		Orifice, Bake	27	W10272520	Bracket, Orifice			
	W10342662	Upper						
	W10342661	Lower						

FOR ORDERING INFORMATION REFER TO PARTS PRICE LIST

# CHASSIS PARTS

For Models: MGT8775XB01, MGT8775XW01, MGT8775XS01  
(Black) (White) (Stainless)



FOR ORDERING INFORMATION REFER TO PARTS PRICE LIST

# CHASSIS PARTS

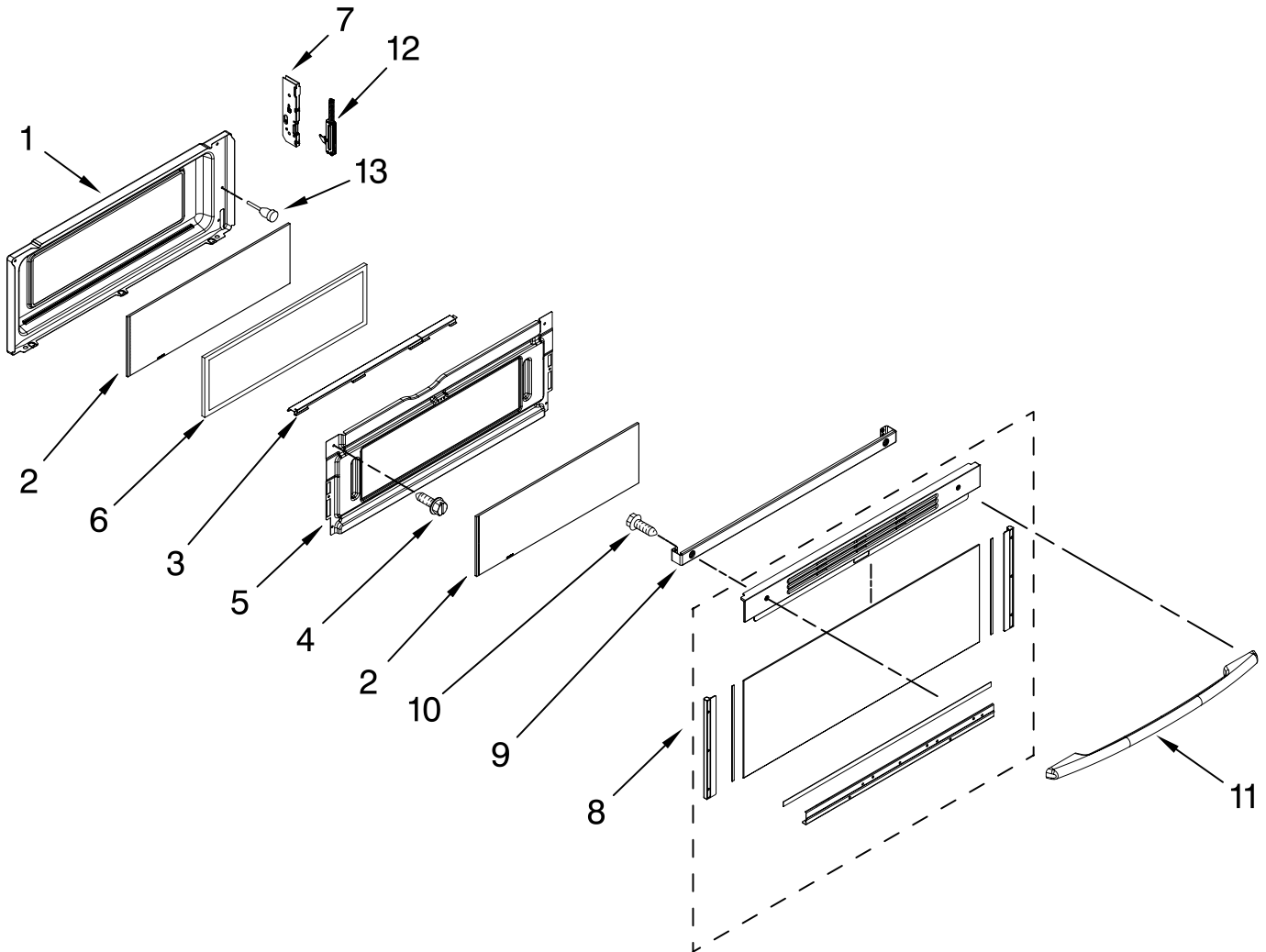
For Models: MGT8775XB01, MGT8775XW01, MGT8775XS01  
(Black) (White) (Stainless)

Illus. No.	Part No.	DESCRIPTION	Illus. No.	Part No.	DESCRIPTION	Illus. No.	Part No.	DESCRIPTION
1	W10319038	Shield, Gemini	14		Assembly, Flue	25	W10284949	Rod, Shutoff
2	W10237689	Spacer, Side Panel		W10311326	Upper	26	W10253471	Shield, Side Insul
3	W10267456	Screw, Shoulder		W10272519	Lower	27	7101P375-60	Screw (Door Lock)
4		Panel, Side	15	7101P434-60	Screw	28	W10272546	Bottom, Oven
	W10330375	Black	16	W10260580	Back, Main	29	W10324643	Support, Insul.
	W10330376	White	17		Assy., Flue Outlet	30	W10260703	Support, Oven
5	3801F656-51	Bracket, Anti-Tip		W10321446	Upper	<b>INSULATION</b>		
6	W10319000	Gasket, Gemini Oven Shield		W10321445	Lower		W10344586	Insulation, Floor
7	W10284945	Guide, Rod	18	4449040	Screw			Insulation, Upper
8	7101P507-60	Foot, Leveler (4)	19	W10319087	Bracket, End Post Support		W10318910	Wrapper
9	W10105790	Screw, Bumper	20	7101P633-60	Screw		W10318918	Back
10	7430P044-60	Probe, Sensor	21	W10323374	Assembly, Light			Insulation, Lower
11	W10268558	Cover, Lower Wire	22	W10299886	Trim, Kickplate		W10318911	Wrapper
12	7101P635-60	Screw	23	W10370650	Lock, Door		W10204081	Back
13	W10261387	Cover, Main Wire	24		Gasket, Oven Door			
				W10318928	Upper			
				W10269069	Lower			

FOR ORDERING INFORMATION REFER TO PARTS PRICE LIST

# UPPER DOOR PARTS

For Models: MGT8775XB01, MGT8775XW01, MGT8775XS01  
 (Black) (White) (Stainless)



Illus. No.	Part No.	DESCRIPTION
1	W10206315	Lining, Door
2	W10272707	Glass, Inner (2)
3	W10272708	Frame, Glass
4	W10292297	Screw W/Washer
5	W10340589	Retainer, Insul.
6	W10321271	Insulation, Door
7	W10277006	Receiver

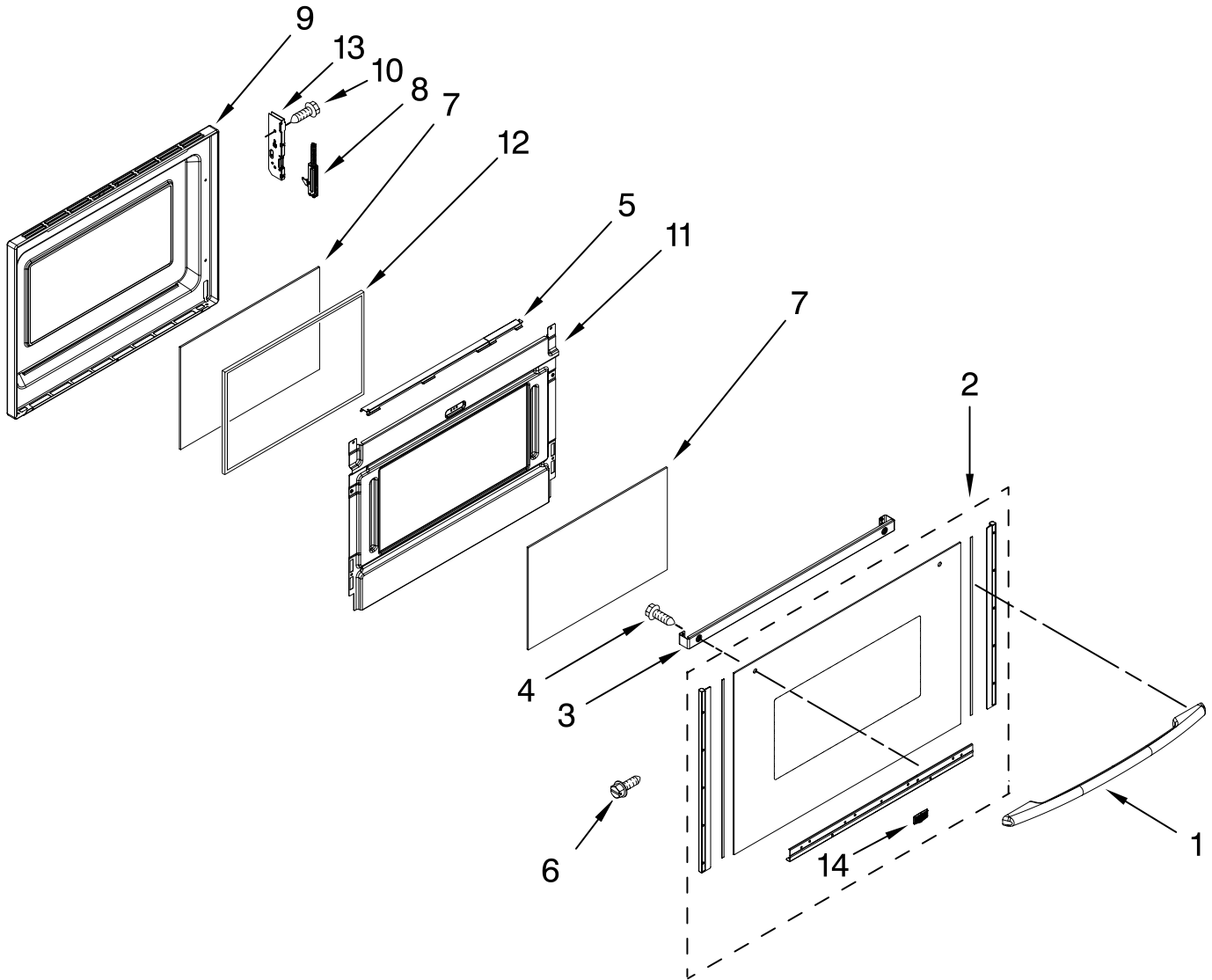
Illus. No.	Part No.	DESCRIPTION
8		Assembly, Glass Door
	W10322720	Black
	W10322718	White
	W10273126	Stainless
		(Stainless Incl. Door Panel)
9	W10294695	Bracket, Handle
10	W10317886	Screw, Handle

Illus. No.	Part No.	DESCRIPTION
11		Handle, Door
	W10323584	Black
	W10323581	White
	W10161708	Stainless
12		Hinge, Door
	W10274500	Left
	W10274499	Right
13	W10105790	Bumper, Door

FOR ORDERING INFORMATION REFER TO PARTS PRICE LIST

# LOWER DOOR PARTS

For Models: MGT8775XB01, MGT8775XW01, MGT8775XS01  
 (Black) (White) (Stainless)



Illus. No.	Part No.	DESCRIPTION
1		Handle, Door
	W10323584	Black
	W10323581	White
	W10161708	Stainless
2		Assembly, Glass Door
	W10324547	Black
	W10324124	White
	W10272573	Stainless
		(Stainless Incl. Door Pnl & Badge)

Illus. No.	Part No.	DESCRIPTION
3	W10294695	Bracket, Handle
4	W10317886	Screw, Handle
5	W10272594	Frame, Glass (2)
6	W10292297	Screw W/Washer
7	9757706	Glass, Inner (2)
8		Hinge, Door
	W10335433	Right
	W10335434	Left

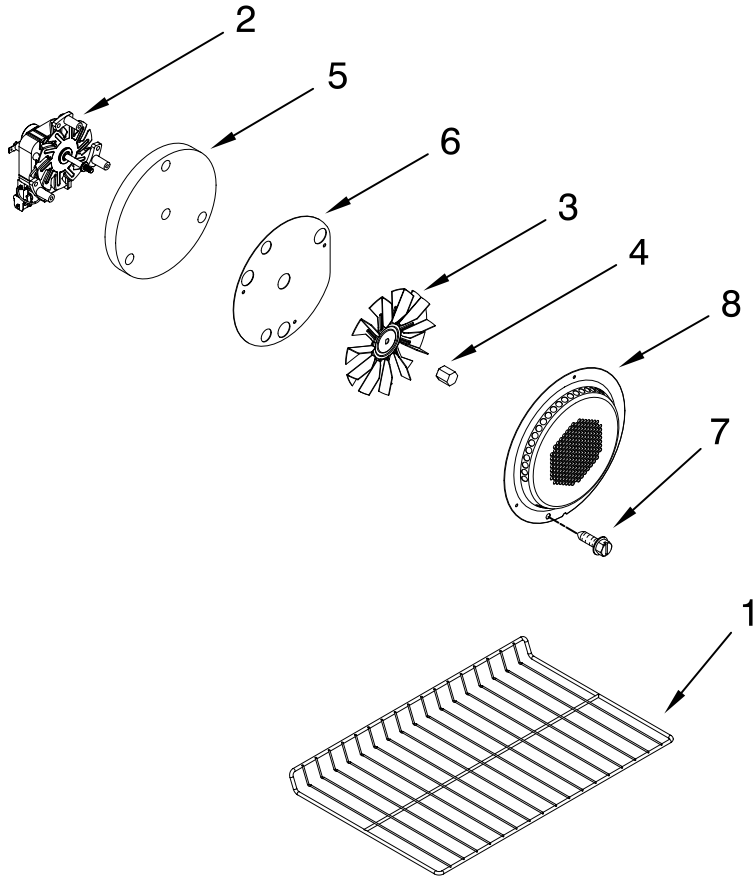
Illus. No.	Part No.	DESCRIPTION
9	W10272698	Lining, Door
10	W10292297	Screw (Receiver)
11	W10340464	Retainer, Insul.
12	W10321285	Insulation, Door
13		Receiver
	W10272328	Right
	W10272329	Left
14	W10288004	Badge

FOR ORDERING INFORMATION REFER TO PARTS PRICE LIST



# INTERNAL OVEN PARTS

For Models: MGT8775XB01, MGT8775XW01, MGT8775XS01  
 (Black) (White) (Stainless)



Illus. No.	Part No.	DESCRIPTION
1	W10179152	Rack, Oven
2	W10314406	Motor, Convection
3	W10116351	Blade, Fan
4	W10116349	Nut, Acorn
5	W10274268	Insulation, Convection Motor
6	W10339476	Plate, Mounting (Convection Fan)
7	4449154	Screw
8	4448988	Cover, Fan

FOR ORDERING INFORMATION REFER TO PARTS PRICE LIST

# OPTIONAL PARTS (Not Included)

For Models: MGT8775XB01, MGT8775XW01, MGT8775XS01

(Black)

(White)

(Stainless)

Illus. No.	Part No.	DESCRIPTION
------------	----------	-------------

Following Parts Not Illustrated

### REFINISHING MATERIAL

242756 Touch-Up  
Self-Clean(1/2 Pt)

### INSULATION

261514 Insulation,  
Fiberglass (1-1/2"  
x 24" x 120")  
240132 Insulation,  
Fiberglass (2-1/2"  
x 22" x 120")

Illus. No.	Part No.	DESCRIPTION
------------	----------	-------------

### PAINT, TOUCH-UP (1/2oz.)

72017 White  
72032 Black  
511873 White Porcelain  
(2 Oz.)

### PAINT, PRESSURIZED SPRAY (12 oz.)

350930 White  
350939 Black  
285006 Superior Black  
206922 Primer (White)

### PAINT, BULK (1 qt.)

799344 White (Uncut)

Illus. No.	Part No.	DESCRIPTION
------------	----------	-------------

### ACCESSORY PARTS

241430 Foil, Aluminum  
Oven (18" x 25')  
4396923 Pan, Broiler  
31462 Cleaner/Polish  
(Stainless Only)  
31682 Cleaner,  
All-Purpose

### WIRING HARNESS PARTS

W10223554 Harness, Main  
W10323106 Harness, Spark  
W10225701 Harness, Sensor  
7101P027-60 Screw, Ground  
7111P017-60 Clamp, Wire