

# WASHER

## Repair Parts List

MODEL NUMBER

MAH5500BWW

When requesting service or ordering parts, always provide the following information:

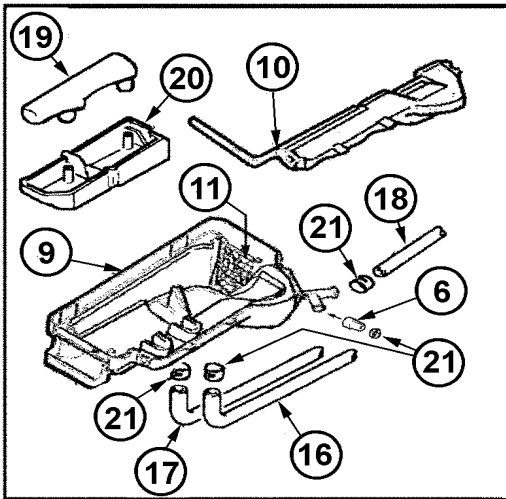
- Product Type
- Part Number
- Model Number
- Part Description

**MAYTAG**®

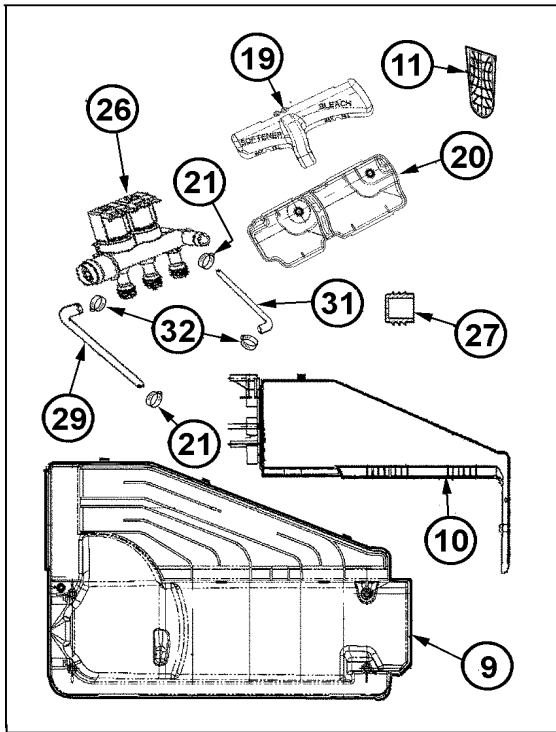
©2005 Maytag Services

**Section: CONTROL PANEL & TOP**

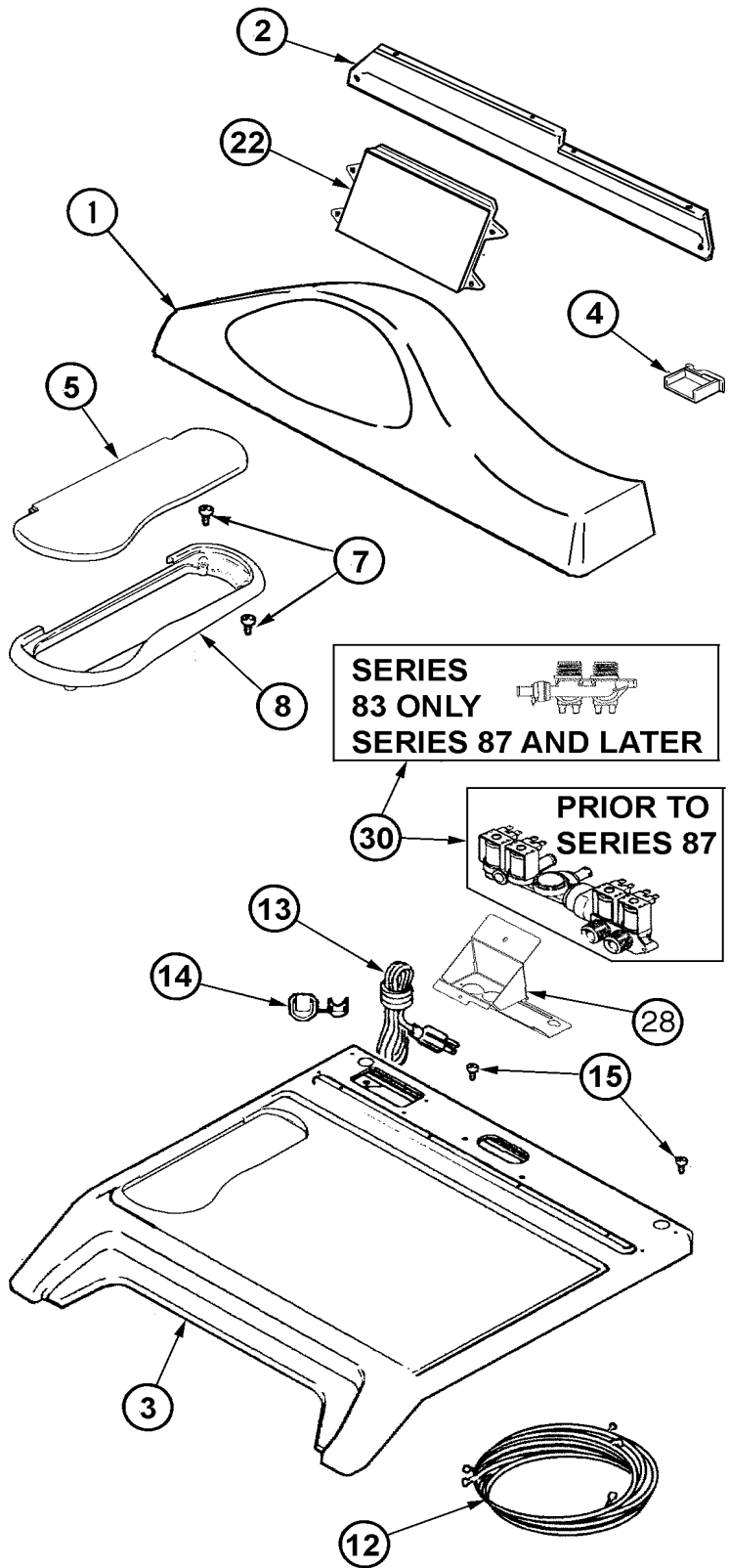
**Model: MAH5500BWW**



**PRIOR TO SERIES 87**



**SERIES 83 ONLY  
SERIES 87 AND LATER**



**SERIES 83 ONLY  
SERIES 87 AND LATER**

**PRIOR TO  
SERIES 87**

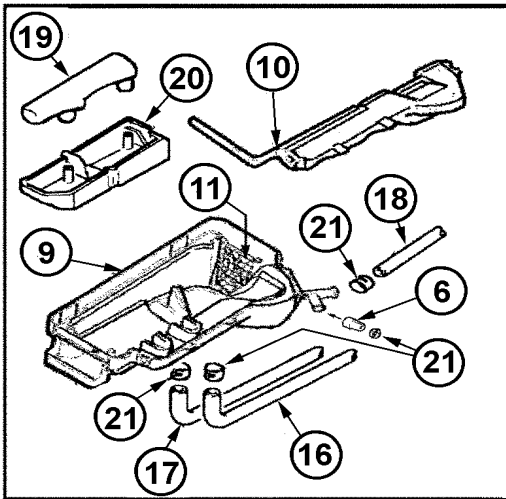
## Section: CONTROL PANEL & TOP

| No. | Part No.   | Description   | Series | Qty |
|-----|------------|---|--------|-----|
| 1   | 22003238   | CONSOLE, LED W/MEMBRANE (WHT)                             | 10     | 1   |
| 1   | 22003806   | MEDALLION, CONSOLE (WHT)                                  | 10     | 1   |
| 1   | 22003807   | MEDALLION, CONSOLE (BSQ)                                  | 10     | 1   |
| 1   | 22004436   | LED CONSOLE ASSY-WHT - AS PACK                            | B4     | 1   |
| 2   | Y22002339  | SCREW   | 10     | 4   |
| 2   | 22003581   | BACK, CONSOLE PANEL                                       | 67     | 1   |
| 2   | 22003255   | PANEL, BACK   | 10     | 1   |
| 2   | 22002061   | SCREW Note: SCREW, CONTROL BOARD                          | 71     | 4   |
| 3   | 22002116   | COVER, TOP (WHT)  | 10     | 1   |
| 3   | 22003584   | COVER, TOP (WHT-AS PK)                                    | 67     | 1   |
| 4   | 22003276   | COVER, CONSOLE PLUG (WHT)                                 | 10     | 1   |
| 5   | 22003274   | LID, DISPENSER (WHT)                                      | 10     | 1   |
| 6   | 22003260   | EXTENSION, NOZZLE   | 10     | 1   |
| 7   | 22003681   | SCREW, DISPENSER LID Note: SCREW, DISPENSER BEZEL         | 10     | 4   |
| 8   | 22003273   | BEZEL, DISPENSER (WHT)                                    | 10     | 1   |
| 9   | 22003320   | BOTTOM, DISPENSER ASSY. Note: SERIES 83 SEE ITEMS 26 & 27 | 10     | 1   |
| 9   | 22003844   | DISPENSER BOTTOM  | 87     | 1   |
| 9   | 202515     | HOSE CLAMP - 1-1/16 INCH                                  | 10     | 2   |
| 10  | 22003322   | TOP, DISPENSER (FLUME)                                    | 10     | 1   |
| 10  | 22003845   | DISPENSER COVER (FLUME)                                   | 87     | 1   |
| 11  | 22003321   | GRID, DISPENSER   | 10     | 1   |
| 12  | 22003799   | WIRE HARNESS  | 74     | 1   |
| 12  | 2205140    | HARNESS, WIRE   | C1     | 1   |
| 12  | 22003818   | WIRE HARNESS  | 88     | 1   |
| 12  | 22003817   | SCREW, SERRATED WASHER HEAD HX Note: FILTER TO TOP COVER  | 88     | 1   |
| 12  | 22003272   | HARNESS, WIRE Note: HARNESS, WIRE (MAIN)                  | 10     | 1   |
| 12  | 22002782   | PAD, FOAM (SOUND DAMPENER)                                | 88     | 1   |
| 12  | 22004499   | HARNESS, WIRE   | C5     | 1   |
| 12  | 22003852   | WIRE HARNESS  | 88     | 1   |
| 12  | 22004432   | HARNESS, UPPER SUB  | B4     | 1   |
| 12  | 22003856   | MOTOR, VARIABLE SPEED                                     | 88     | 1   |
| 12  | 22003858   | EMI SUPPRESSION FILTER, 16A                               | 88     | 1   |
| 12  | 22004047   | HARNESS, MOTOR/MOTOR CONTROL                              | 91     | 1   |
| 12  | 22003271   | HARNESS, UNBALANCE SWITCH                                 | 10     | 1   |
| 12  | 22004052   | HARNESS UPPER SUB ASSY                                    | 92     | 1   |
| 12  | 22004313   | WIRE HARNESS  | A7     | 1   |
| 12  | 22004431   | HARNESS, MAIN LED   | B4     | 1   |
| 12  | 22003851   | CONTROL ASSY., MOTOR                                      | 88     | 1   |
| 12  | 22003855   | HARNESS, MOTOR/MOTOR CONTROL                              | 88     | 1   |
| 13  | 22003853   | POWER CORD AS WRAPPED                                     | 88     | 1   |
| 13  | 22003062   | CORD, POWER (AS WRAPPED)                                  | 10     | 1   |
| 14  | 211881     | GROMMET, CORD   | 10     | 1   |
| 15  | 912365     | SCREW Note: SCREW   | 10     | 1   |
| 16  | 22002551   | HOSE, BLEACH  | 10     | 1   |
| 17  | N 22002552 | HOSE, FABRIC SOFTENER----NA                               | 10     | 1   |
| 18  | 22004082   | SEAL INSERTION TOOL                                       | 10     | 1   |
| 18  | 22003457   | HOSE, DETERGENT   | 10     | 1   |
| 19  | 22002266   | CAP, SIPHON   | 10     | 1   |
| 19  | 22003849   | SIPHON CAP  | 87     | 1   |
| 20  | 22002265   | CUP, SIPHON   | 10     | 1   |
| 20  | 22003848   | SIPHON CUP  | 87     | 1   |
| 21  | 205161     | CLAMP - 15/16"  | 87     | 2   |
| 21  | 22001984   | CLAMP, DRAIN HOSE   | 10     | 1   |
| 21  | 205161     | CLAMP - 15/16"  | 10     | 3   |
| 21  | 205161     | CLAMP - 15/16" Note: PILOT FOR THIS SERIES ONLY           | 83     | 2   |
| 22  | 22004488   | CONTROL BOARD   | C4     | 1   |

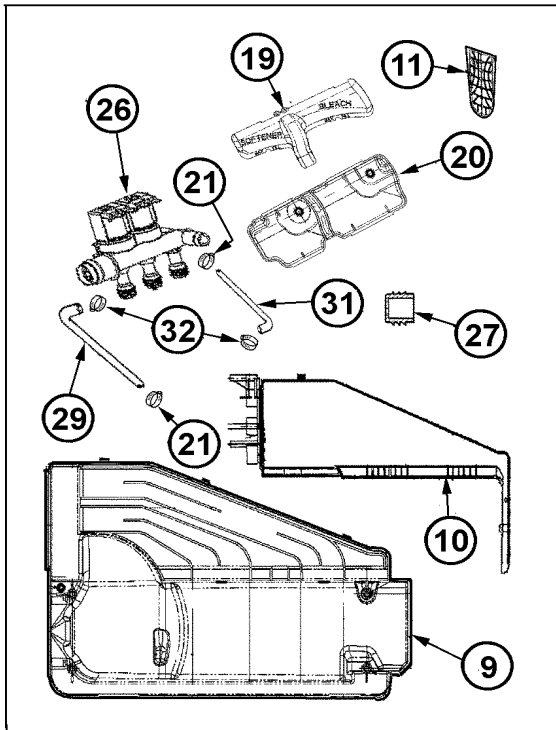
\*Color Code (-)=Not Shown #=Series, Serial Prefix or Run No., N=Not Available

Section: CONTROL PANEL & TOP

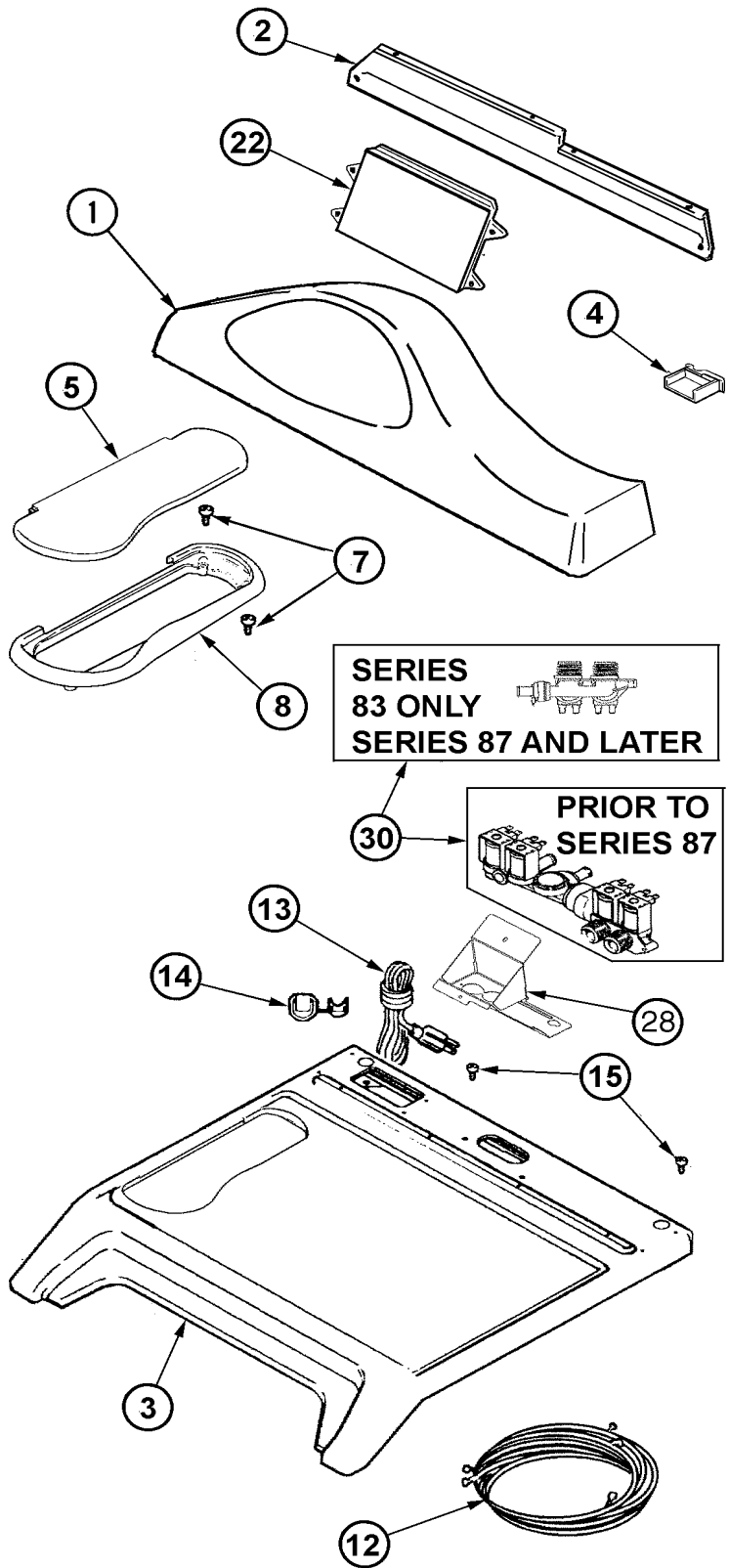
Model: MAH5500BWW



PRIOR TO SERIES 87



SERIES 83 ONLY  
SERIES 87 AND LATER



SERIES 83 ONLY  
SERIES 87 AND LATER

PRIOR TO SERIES 87

## Section: CONTROL PANEL & TOP

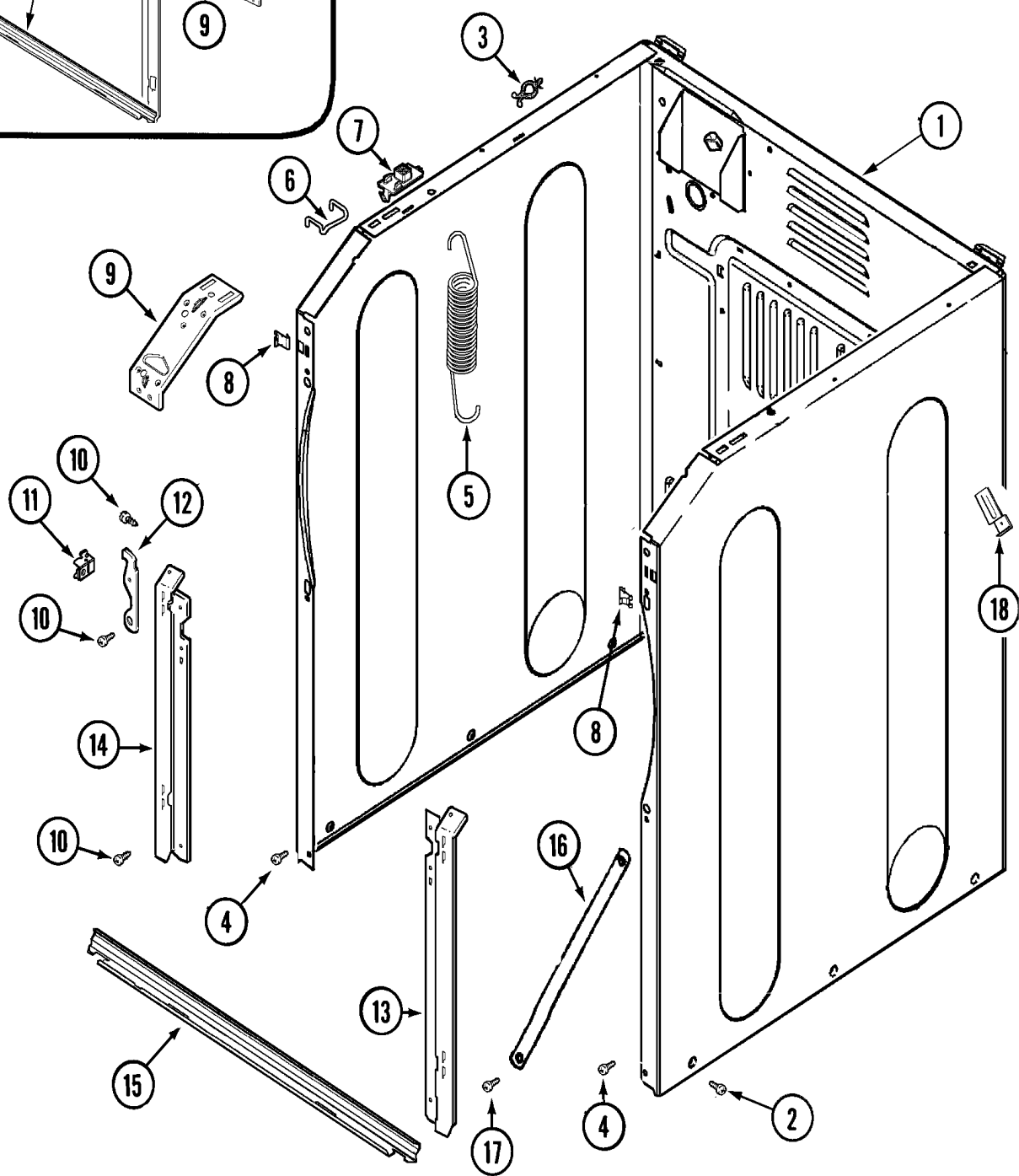
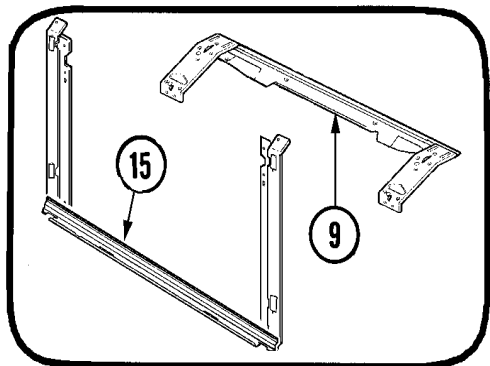
| No. | Part No.   | Description   | Series | Qty |
|-----|------------|---|--------|-----|
| 22  | 22003552   | CONTROL BOARD/MTG.-LED ASPK   | 71     | 1   |
| 22  | 22004431   | HARNES, MAIN LED  | B4     | 1   |
| 22  | 22003314   | CONTROL BOARD/MTG BRACKET-LED   | 10     | 1   |
| 22  | 22004482   | BOARD, CONTROL----SUB   | C7     | 1   |
| 22  | 22004299   | CONTROL BOARD (LED)   | A8     | 1   |
| 22  | 22004488   | CONTROL BOARD   | C8     | 1   |
| 22  | 22004446   | CONTROL BOARD, AS PACKED SUB  | B4     | 1   |
| 23  | 2201907    | MANUAL, USE & CARE  | B3     | 1   |
| 23  | 2206687    | MANUAL, USE & CARE LED WASHER   | C2     | 1   |
| 23  | 22003304   | MANUAL, USE & CARE  | 10     | 1   |
| 23  | N 62729220 | MANUAL, USE & CARE (ARABIC)   | 10     | 1   |
| 24  | 22003895   | USE & CARE MANUAL   | 10     | 1   |
| 24  | 22003928   | VIDEO USER GUIDE / LED  | 10     | 1   |
| 25  | 16008373   | MANUAL, SERVICE-NO REFUND   | 10     | 1   |
| 26  | 22003846   | DISPENSER VALVE Note: PILOT RUN FOR THIS SERIES ONLY  | 83     | 1   |
| 26  | 22003846   | DISPENSER VALVE Note: ITEMS 26 & 27 SERIES 83 ONLY WHEN REPLACING THIS ITEM ALWAYS REPLACE 12001929 VALVE SEAL KIT IN CONJUNCTION WITH IT | 87     | 1   |
| 27  | 12001929   | VALVE SEAL KIT  | 87     | 1   |
| 28  | 22003263   | SCREW Note: SCREW, BRACKET TO CABINET   | 10     | 1   |
| 28  | 22001996   | SCREW Note: SCREW, VALVE TO BRACKET   | 10     | 1   |
| 28  | 33002212   | BRACKET, WATER VALVE  | 10     | 1   |
| 29  | 22003832   | FILL HOSE, DISPENSER Note: PILOT ON THIS SERIES ONLY  | 83     | 1   |
| 29  | 22003832   | FILL HOSE, DISPENSER  | 87     | 1   |
| 30  | 22003834   | WATER VALVE W' THERMISTOR Note: PILOT RUN FOR THIS SERIES ONLY  | 83     | 1   |
| 30  | 22003834   | WATER VALVE W' THERMISTOR   | 87     | 1   |
| 30  | 22003245   | VALVE, WATER  | 10     | 1   |
| 31  | 22003833   | HOSE, TUB SHOWER  | 87     | 1   |
| 31  | 22003833   | HOSE, TUB SHOWER Note: PILOT ON THIS SERIES ONLY  | 83     | 1   |
| 32  | 22001640   | CLAMP, HOSE Note: PILOT ON THIS SERIES ONLY   | 83     | 2   |
| 32  | 22001640   | CLAMP, HOSE   | 87     | 2   |
| 33  | 22003325   | TAG, ENERGY (LED)   | 10     | 1   |

\*Color Code (-)=Not Shown #=Series, Serial Prefix or Run No., N=Not Available

Section: CABINET-FRONT

Model: MAH550BWW

SERIES 69



LW12-22

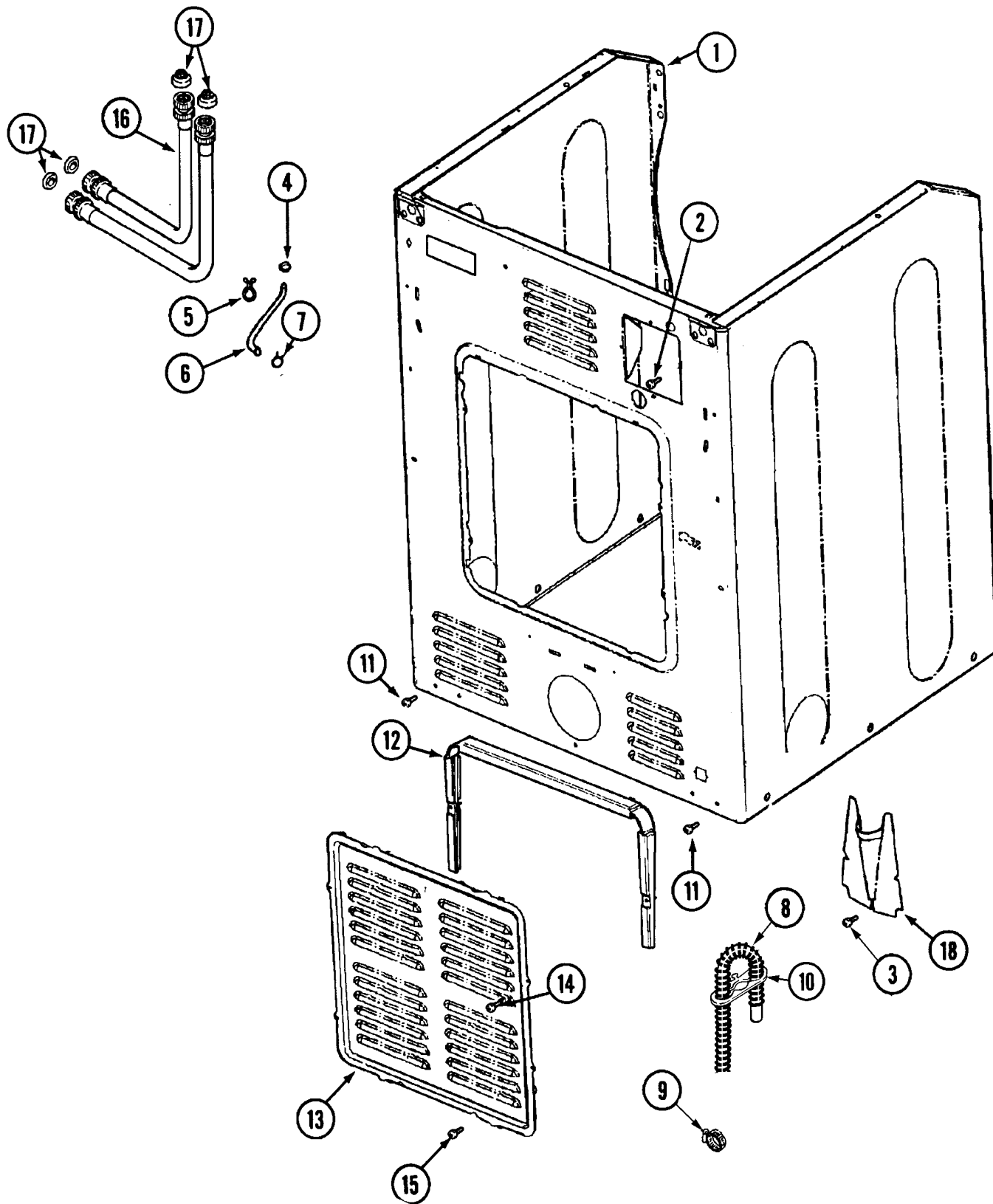
## Section: CABINET-FRONT

| No. | Part No.  | Description  | Series | Qty |
|-----|-----------|--|--------|-----|
| -   | 22002293  | INSULATION, CABINET Note: (ONE ON EACH SIDE)               | 10     | 2   |
| -   | 22003367  | HINGE, PLASTIC   | 67     | 2   |
| 1   | 22002548  | CABINET ASSY. (WHT)  | 10     | 1   |
| 1   | 22003639  | CABINET ASSY. (WHT AS PK) Note: CABINET ASSY, (WHT, AS PK) | 72     | 1   |
| -   | 22001995  | SCREW Note: SCREW, HINGE                                   | 67     | 2   |
| 1 N | 22003582  | CABINET, ASSY. (WHT-AS PK)                                 | 67     | 1   |
| 2   | 213007    | SCREW, CABINET   | 10     | 6   |
| 2   | 22003409  | SCREW----NA Note: SCREW, CABINET (TRUSS)                   | 67     | 6   |
| -   | W10124350 | NOT REQUIRED PART OR SEE NOTE Note: STOP NOT REQUIRED      | 67     | 2   |
| -   | 22002013  | STOP, SHIPPING   | 10     | 2   |
| 3   | 22003298  | RETAINER, WIRE   | 10     | 4   |
| 4   | 22001995  | SCREW Note: SCREW, FRONT CABINET                           | 10     | 2   |
| 5   | 22003254  | SPRING, CABINET  | 10     | 2   |
| 6   | 22002297  | SUPPORT, SPRING  | 10     | 2   |
| 7   | 22001997  | SPACER, TOP COVER  | 10     | 2   |
| 8   | 22002049  | CLIP Note: CLIP, FRONT PANEL                               | 10     | 2   |
| 9   | 22003637  | BRACE ASSEMBLY, TOP CROSS                                  | 69     | 1   |
| 9   | 22002292  | BRACE, CORNER (LT) Note: BRACE, CORNER (LT)                | 10     | 1   |
| 9   | 22002090  | BRACE, CORNER Note: BRACE, CORNER (RT)                     | 10     | 1   |
| 10  | 22001995  | SCREW Note: SCREW, SECURITY HOOK                           | 10     | 8   |
| 11  | 22002001  | SUPPORT, HINGE   | 10     | 4   |
| 12  | 22002247  | HOOK, SECURITY   | 10     | 2   |
| 13  | 22002034  | BRACKET, SHROUD SUPPORT (RT)                               | 10     | 1   |
| 14  | 22002985  | BRACKET, SHROUD (LT)                                       | 10     | 1   |
| 15  | 22003652  | SHROUD SUPPORT ASSEMBLY                                    | 69     | 1   |
| 15  | 22001993  | BRIDGE, SHROUD SUPPORT                                     | 10     | 1   |
| 16  | 22002259  | BRACE, CROSS   | 10     | 2   |
| 17  | 22001995  | SCREW Note: SCREW, CLIP TO SECURITY HOOK                   | 10     | 2   |
| 18  | 22001996  | SCREW Note: SCREW, BRACKET                                 | 10     | 1   |
| 18  | 22002178  | BRACKET, WATER SWITCH Note: BRACKET,HOSE                   | 10     | 1   |

\*Color Code (-)=Not Shown #=Series, Serial Prefix or Run No., N=Not Available

Section: CABINET-REAR

Model: MAH5500BWW



LW12-110



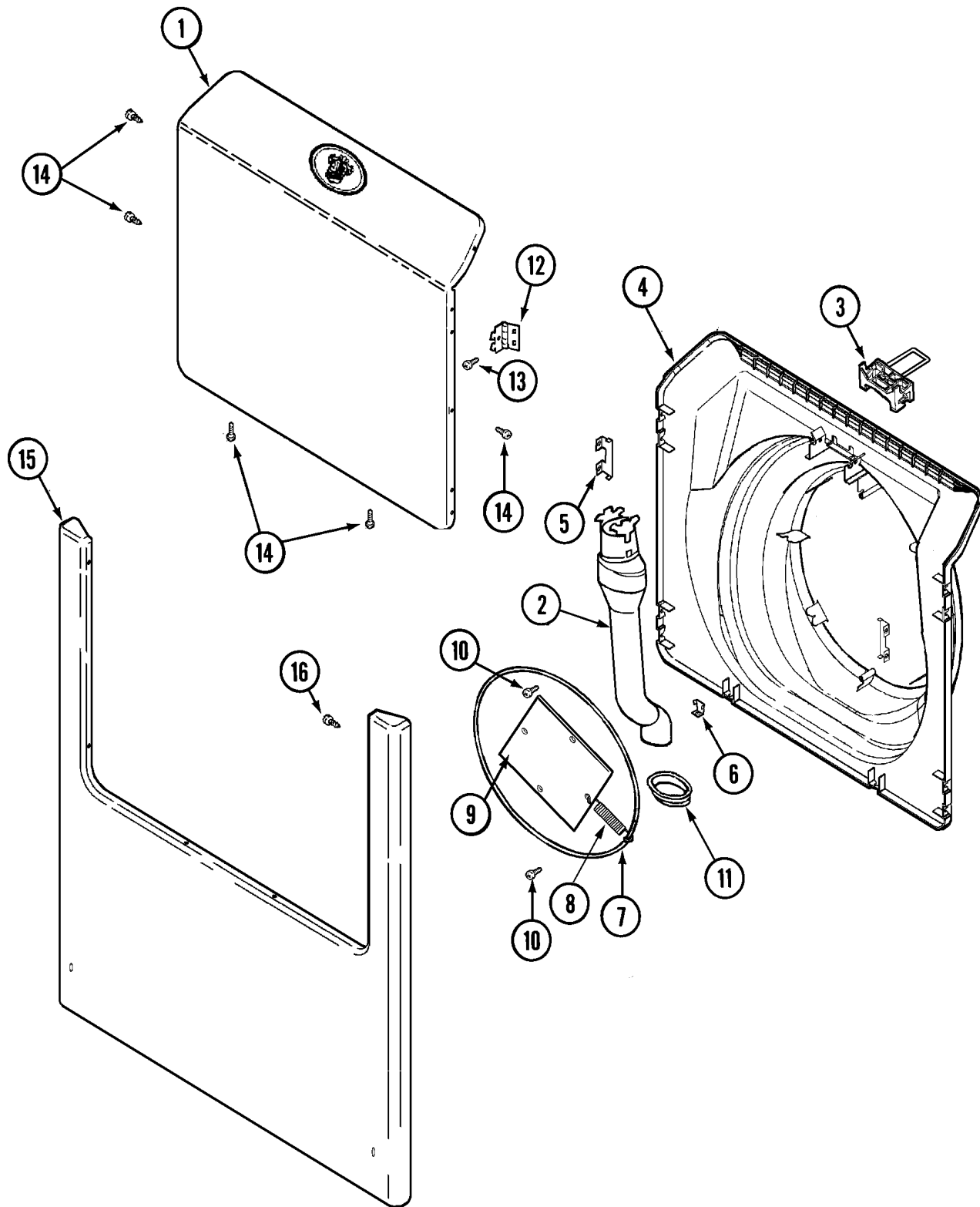
## Section: CABINET-REAR

| No. | Part No.   | Description   | Series | Qty |
|-----|------------|---|--------|-----|
| -   | 22002445   | LABEL, SAFETY   | 10     | 1   |
| 1   | 22002548   | CABINET ASSY. (WHT)                                       | 10     | 1   |
| 1   | N 22003582 | CABINET, ASSY. (WHT-AS PK)                                | 67     | 1   |
| -   | 22003367   | HINGE, PLASTIC  | 10     | 2   |
| 1   | 22003639   | CABINET ASSY. (WHT AS PK)                                 | 72     | 1   |
| -   | 22001995   | SCREW   | 10     | 2   |
| 2   | N 33001245 | SCREW----NA Note: SCREW, GROUND LUG                       | 10     | 1   |
| 3   | 22001995   | SCREW Note: SCREW, DRAIN HOSE COVER                       | 10     | 1   |
| 4   | 22002054   | CLAMP, STEPLESS   | 10     | 1   |
| 5   | 22002027   | WIRE TIE, TWIST LOCK                                      | 10     | 2   |
| -   | 35-2890    | CABLE TIE   | 10     | 1   |
| 6   | 22002083   | HOSE, INJECTOR  | 10     | 1   |
| 7   | 216169     | CLAMP,HOSE-INJEC.HOSE TO VALVE Note: CLAMP, INJECTOR HOSE | 10     | 1   |
| 8   | 22002932   | CLIP, DRAIN HOSE  | 10     | 1   |
| 8   | 12001807   | KIT NC, DRAIN HOSE REPLACEMENT                            | 10     | 1   |
| -   | 35-2890    | CABLE TIE   | 10     | 1   |
| 9   | 22001984   | CLAMP, DRAIN HOSE   | 10     | 1   |
| 10  | 22002892   | RETAINER, DRAIN HOSE                                      | 10     | 1   |
| 11  | 22001995   | SCREW Note: SCREW, CABINET                                | 10     | 2   |
| 12  | 22002022   | SPACER, ACCESS PANEL                                      | 10     | 1   |
| 13  | 22004355   | REAR ACCESS PANEL   | 11     | 1   |
| 13  | 22002092   | PANEL, ACCESS   | 10     | 1   |
| 14  | 22002295   | SCREW Note: SCREW, ACCESS PANEL SPACER                    | 10     | 2   |
| 14  | 22002925   | SCREW   | 11     | 2   |
| 15  | 22001996   | SCREW Note: SCREW, ACCESS PANEL                           | 10     | 2   |
| 16  | 33-7891    | HOSE, 4' INLET  | 10     | 1   |
| 16  | 33-7046    | HOSE, 5' INLET  | 10     | 1   |
| 17  | 22002229   | STRAINER  | 10     | 2   |
| 17  | Y013783    | GASKET, INLET HOSE Note: WASHER, INLET HOSE               | 10     | 4   |
| 18  | 22002093   | COVER, DRAIN HOSE   | 10     | 1   |

\*Color Code (-)=Not Shown #=Series, Serial Prefix or Run No., N=Not Available

Section: DOOR & FRONT PANEL

Model: MAH5500BWW



LW18-11

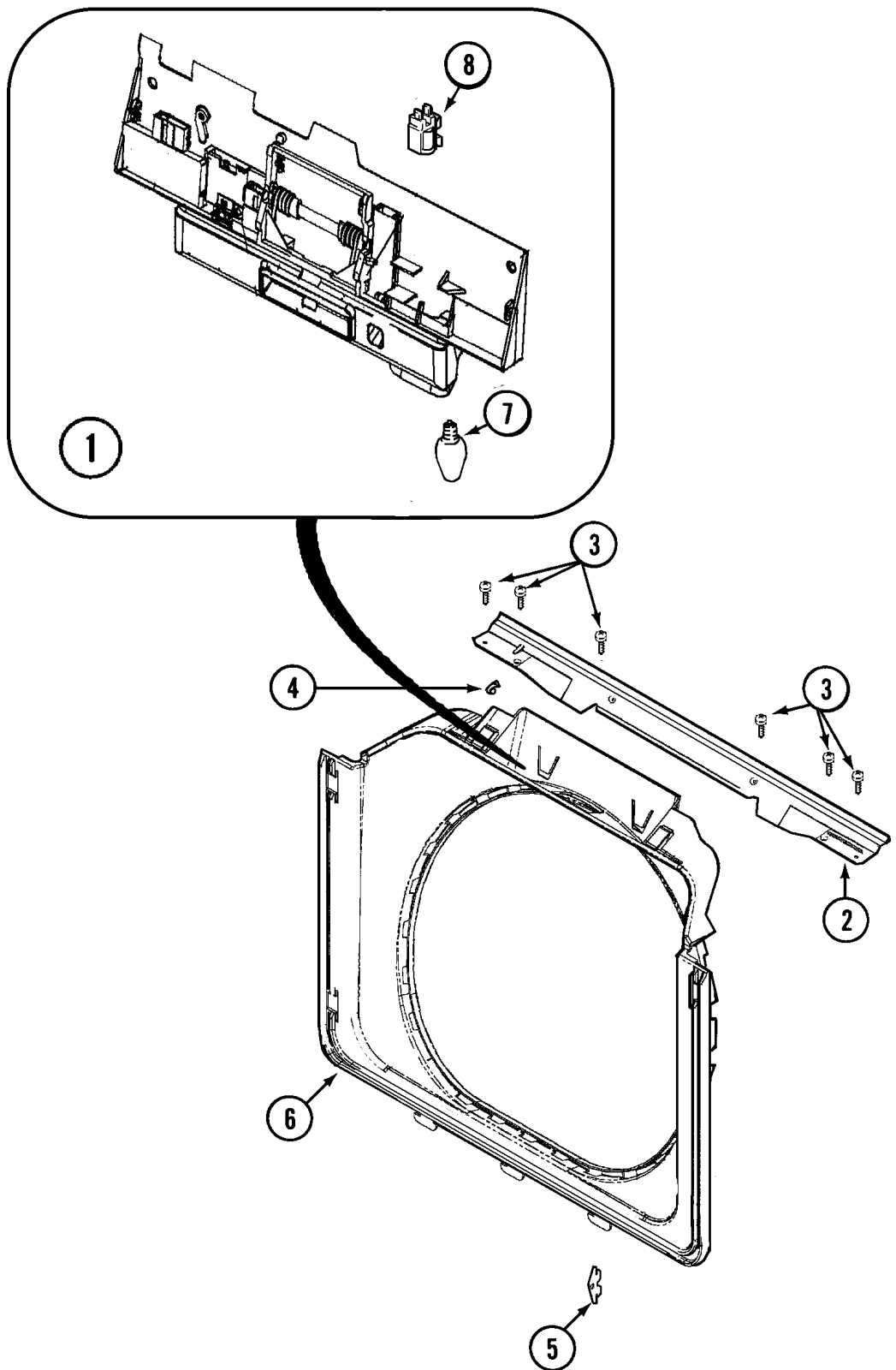
## Section: DOOR & FRONT PANEL

| No. | Part No. | Description  | Series | Qty |
|-----|----------|--|--------|-----|
| 1   | 22003242 | DOOR, OUTER W/MEDALLION (WHT)                            | 10     | 1   |
| 1   | 22003325 | TAG, ENERGY (LED)  | 10     | 1   |
| 2   | 22002990 | VENT TUBE ASSEMBLY                                       | 10     | 1   |
| 3   | 22003269 | DOOR, LOCK HOOP ASSEMBLY                                 | 10     | 1   |
| 4   | 22003275 | DOOR, INNER (WHT)  | 10     | 1   |
| 5   | 22002038 | CLIP, DOOR (DOUBLE)                                      | 10     | 4   |
| 6   | 22002039 | CLIP, DOOR (SINGLE)                                      | 10     | 2   |
| 7   | 22002104 | WIREFRAME Note: REMOVED AT SERIES C6 PER ECN EL43377     | 10     | 1   |
| 8   | 22002356 | SPRING, PLATE Note: REMOVED AT SERIES C6 PER ECN EL43377 | 10     | 4   |
| 9   | 22002094 | PLATE Note: REMOVED AT SERIES C6 PER ECN EL43377         | 10     | 1   |
| 10  | 22002007 | SCREW Note: REMOVED AT SERIES C6 PER ECN EL43377         | 10     | 2   |
| 11  | 22003075 | GROMMET, VENT TUBE                                       | 10     | 1   |
| 12  | 22002095 | COVER, HINGE (WHT)                                       | 10     | 2   |
| 12  | 22002798 | HINGE, DOOR  | 10     | 2   |
| 13  | 22002062 | SCREW Note: SCREW, HINGE                                 | 10     | 4   |
| 14  | 22002063 | SCREW #8-18AB WAFER HD                                   | 10     | 6   |
| 15  | 22001995 | SCREW Note: SCREW, FRONT PANEL CLIP                      | 10     | 2   |
| 15  | 22002241 | PANEL, FRONT (WHT)                                       | 10     | 1   |
| 15  | 22004428 | SEAL, EXPORT   | 10     | 1   |
| 15  | 22002239 | CLIP, LOWER FRONT PANEL                                  | 10     | 2   |
| 15  | 22002305 | INSULATION, FRONT PANEL                                  | 10     | 1   |
| 16  | 22002012 | SCREW, HINGE Note: SCREW, HINGE                          | 10     | 4   |
| 17  | 22002244 | CLIP, GROUNDING  | 10     | 1   |

\*Color Code (-)=Not Shown #=Series, Serial Prefix or Run No., N=Not Available

Section: DOOR SHROUD & DOOR LATCH ASSEMBLY

Model: MAH5500BWW



CW10-52

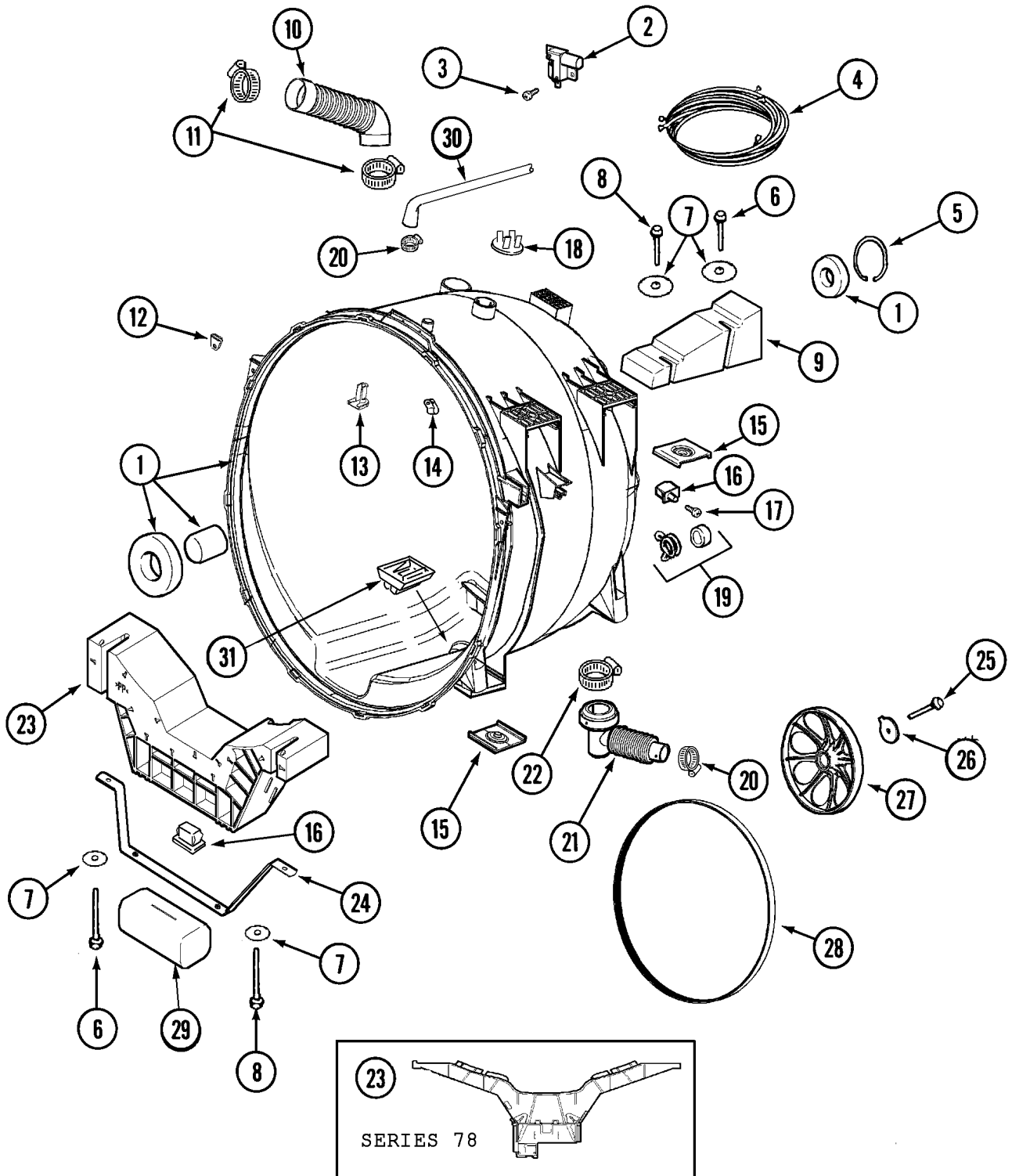
**Section: DOOR SHROUD & DOOR LATCH ASSEMBLY**

| No. | Part No. | Description              | Series | Qty |
|-----|----------|--------------------------|--------|-----|
| 1   | 22003593 | ASSY., DOOR LATCH        | 10     | 1   |
| 1   | 22004435 | LATCH, ASSEMBLY DOOR EMZ | B4     | 1   |
| 2   | 22002015 | SUPPORT, DOOR LOCK       | 10     | 1   |
| 3   | 22001995 | SCREW                    | 10     | 6   |
| 4   | 22002014 | CLIP                     | 10     | 1   |
| 5   | 33001764 | COVER, HINGE HOLE (WHT)  | 74     | 2   |
| 5   | 33001787 | SCREW, HINGE             | 75     | 2   |
| 5   | 33001764 | COVER, HINGE HOLE (WHT)  | 75     | 2   |
| 5   | 22002095 | COVER, HINGE (WHT)       | 10     | 2   |
| 6   | 22002234 | SHROUD, PLASTIC (WHT)    | 10     | 1   |
| 7   | 22002263 | LAMP (10 WATT)           | 10     | 1   |
| 8   | 22002433 | BULB HOLDER ASSEMBLY     | 10     | 1   |

\*Color Code (-)=Not Shown #=Series, Serial Prefix or Run No., N=Not Available

Section: OUTER TUB

Model: MAH5500BWW



LW13-72

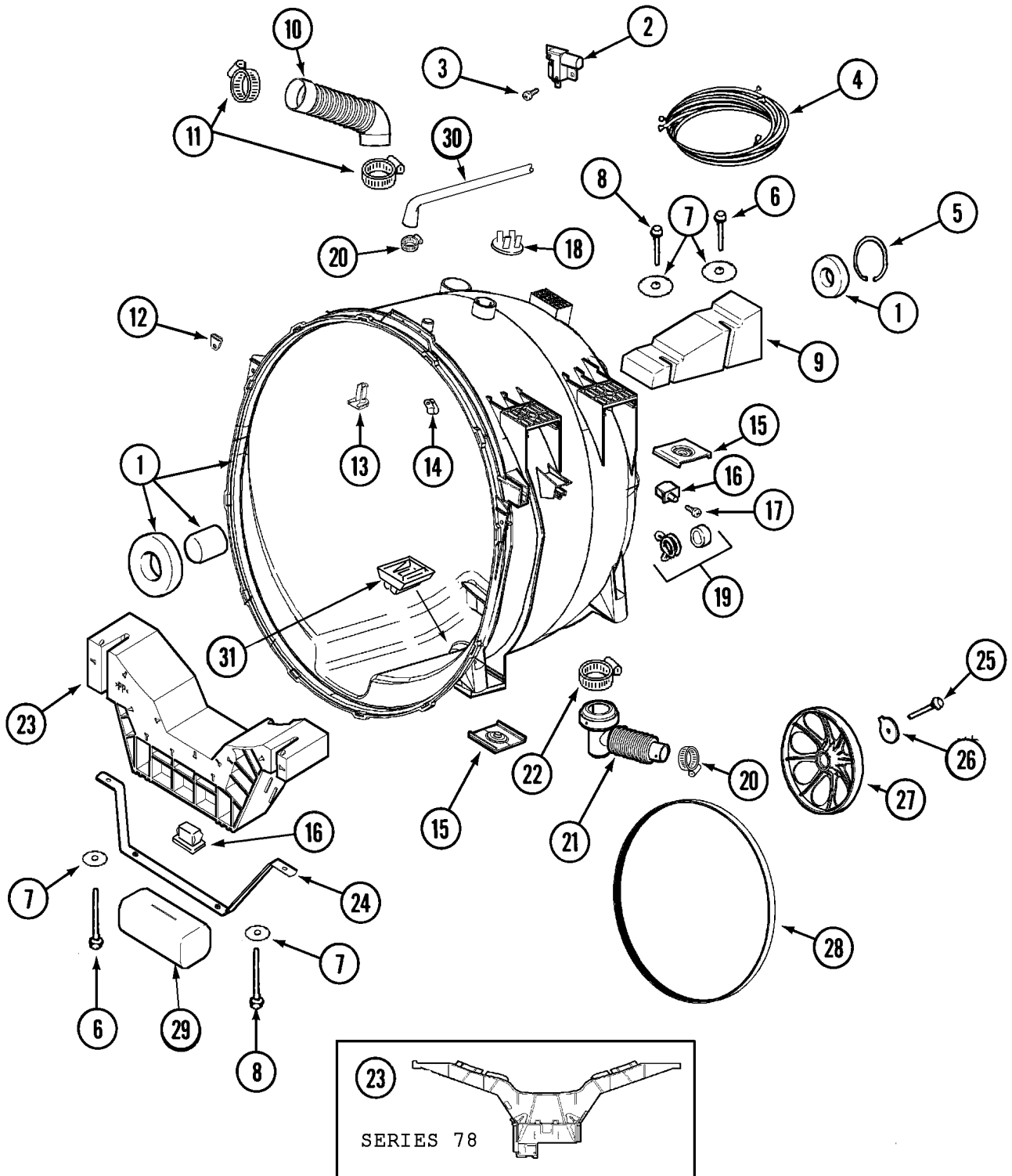
## Section: OUTER TUB

| No. | Part No.   | Description   | Series | Qty |
|-----|------------|---|--------|-----|
| 1   | 22003212   | COVER, TUB (W/SEAL) (ASP) Note: (SPACER & BEARINGS AVAILABLE ONLY WITH OUTER TUB ASSY.) | 10     | 1   |
| 1   | 22004080   | OUTER TUB ASSEMBLY AS-PK KIT  | A1     | 1   |
| 1   | 22004080   | OUTER TUB ASSEMBLY AS-PK KIT Note: OUTER TUB ASSEMBLY PILOT                             | 98     | 1   |
| 1   | 22004465   | OUTER TUB ASSY, AS PACK   | B5     | 1   |
| -   | 22003326   | CLIP, HEATER HARNESS TO TUB   | 10     | 1   |
| 1   | 22003413   | OUTER TUB ASSY.(NC AS PACKED)   | 10     | 1   |
| -   | 22002006   | CLIP  | 92     | 1   |
| 2   | 22003302   | SWITCH, INTERNAL UNBALANCE  | 10     | 1   |
| -   | 22002061   | SCREW   | 92     | 1   |
| 3   | 22002300   | SCREW   | 10     | 2   |
| 4   | 22003271   | HARNESS, UNBALANCE SWITCH   | 10     | 1   |
| -   | 22004047   | HARNESS, MOTOR/MOTOR CONTROL  | 85     | 1   |
| 4   | 22003829   | HARNESS, UPPER SUB ASSY   | 10     | 1   |
| -   | 22004052   | HARNESS UPPER SUB ASSY  | 92     | 1   |
| -   | 22003684   | WIRE HARNESS, UPPER SUB ASSY  | 85     | 1   |
| 5   | N 22001981 | RING, RETAINING   | 10     | 1   |
| 6   | 22001991   | BOLT Note: BOLT (LONG)  | 10     | 2   |
| 6   | 33002973   | SCREW, #9-15 X 1.00 HX WS   | B6     | 2   |
| -   | 22003828   | PLATED BOLT, DOUBLE SEMS SU   | 85     | 1   |
| 7   | N 22002067 | WASHER, COUNTER BALANCE   | 10     | 2   |
| 7   | 22003828   | PLATED BOLT, DOUBLE SEMS SU   | 10     | 1   |
| -   | 22003828   | PLATED BOLT, DOUBLE SEMS SU   | 85     | 1   |
| 8   | 33002973   | SCREW, #9-15 X 1.00 HX WS   | B6     | 2   |
| 8   | 22002056   | BOLT Note: BOLT (SHORT)   | 10     | 2   |
| 9   | 22002102   | WEIGHT, COUNTER BALANCE   | 10     | 1   |
| 10  | 22002083   | HOSE, INJECTOR  | 10     | 1   |
| 11  | 22002052   | CLAMP, INJECTOR HOSE  | 10     | 2   |
| 12  | 22002103   | CLIP, U   | 10     | 2   |
| 13  | 22002959   | DEFLECTOR, WATER  | 10     | 1   |
| 14  | 22002006   | CLIP Note: CLIP, WIRE HARNESS & OUTER TUB   | 10     | 3   |
| -   | N 22002583 | WIRE WRAP   | 10     | 2   |
| 15  | 22002065   | NUT, COUNTER BALANCE  | 10     | 2   |
| 16  | 22002044   | SWITCH, TUB DISPLACEMENT  | 10     | 2   |
| 17  | 22002061   | SCREW   | 10     | 1   |
| 18  | 22002797   | CLIP, HOSE (SADDLE HORN)  | 10     | 1   |
| -   | 22002061   | SCREW Note: SCREW, SADDLE HORN CLIP   | 10     | 1   |
| -   | 22003295   | CLAMP, HOSE DOUBLE WIRE   | 10     | 1   |
| 19  | 22003261   | PLUG, OUTER TUB   | 10     | 1   |
| 20  | 205161     | CLAMP - 15/16"  | 10     | 2   |
| 21  | 22003262   | HOSE, TUB TO PUMP   | 10     | 1   |
| 22  | 22002053   | CLAMP, SUMP HOSE  | 10     | 1   |
| 23  | 22004472   | BRACKET, LOWER  | B5     | 1   |
| 23  | 22003826   | LOWER BRACKET   | 85     | 1   |
| 23  | 22003253   | BRACKET, FRONT WEIGHT Note: SERIES 78 AND LATER SEE # 78                                | 10     | 1   |
| 24  | 22002008   | STRAP   | 10     | 1   |
| 25  | 22002057   | SCREW, SPINNER  | 10     | 1   |
| -   | 22003936   | WASHER (1 1/4")   | 89     | 1   |
| 26  | 22002055   | WASHER, SPINNER SHAFT   | 10     | 1   |
| 27  | 22001998   | PULLEY, SPINNER   | 10     | 1   |
| 28  | 12001435   | BELT KIT, DRIVE   | 10     | 1   |
| 29  | 22002011   | CUSHION   | 10     | 1   |
| 29  | 22003827   | CUSHION   | 10     | 1   |
| -   | 22002027   | WIRE TIE, TWIST LOCK Note: (UPR SUB HARNESS TO HOSE)                                    | 10     | 3   |
| 30  | 22003259   | HOSE, SHOWER (9 1/2")   | 10     | 1   |
| 31  | 22003257   | CAP, SUMP   | 10     | 1   |

\*Color Code (-)=Not Shown #=Series, Serial Prefix or Run No., N=Not Available

Section: OUTER TUB

Model: MAH5500BWW



LW13-72



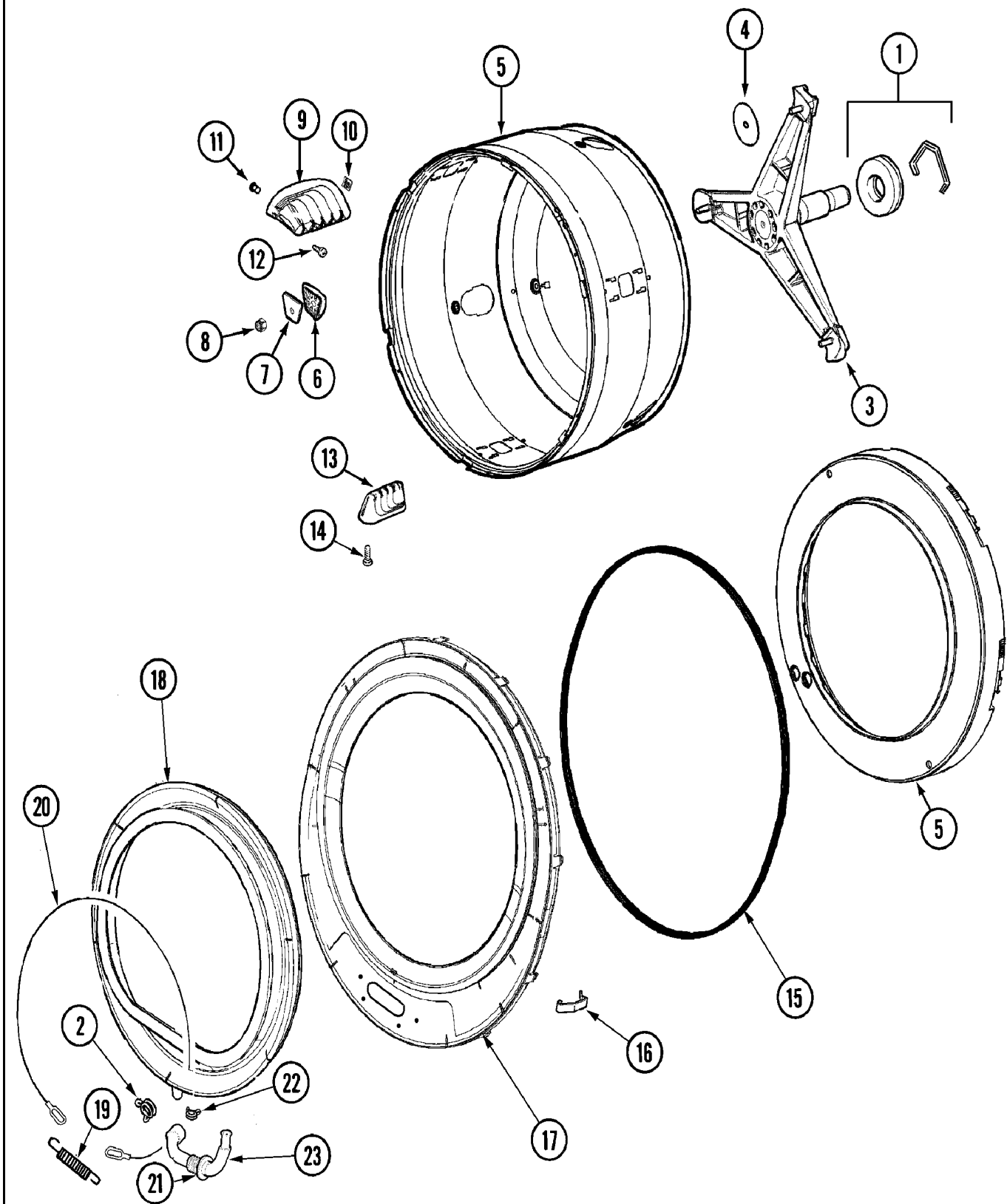
**Section: OUTER TUB**

| No. | Part No. | Description                  | Series Qty |
|-----|----------|------------------------------|------------|
| -   | 22003263 | SCREW Note: SCREW (SUMP CAP) | 10 2       |

\*Color Code (-)=Not Shown #=Series, Serial Prefix or Run No., N=Not Available

Section: SPINNER ASSEMBLY & OUTER TUB COVER

Model: MAH5500BWW



CW17-15

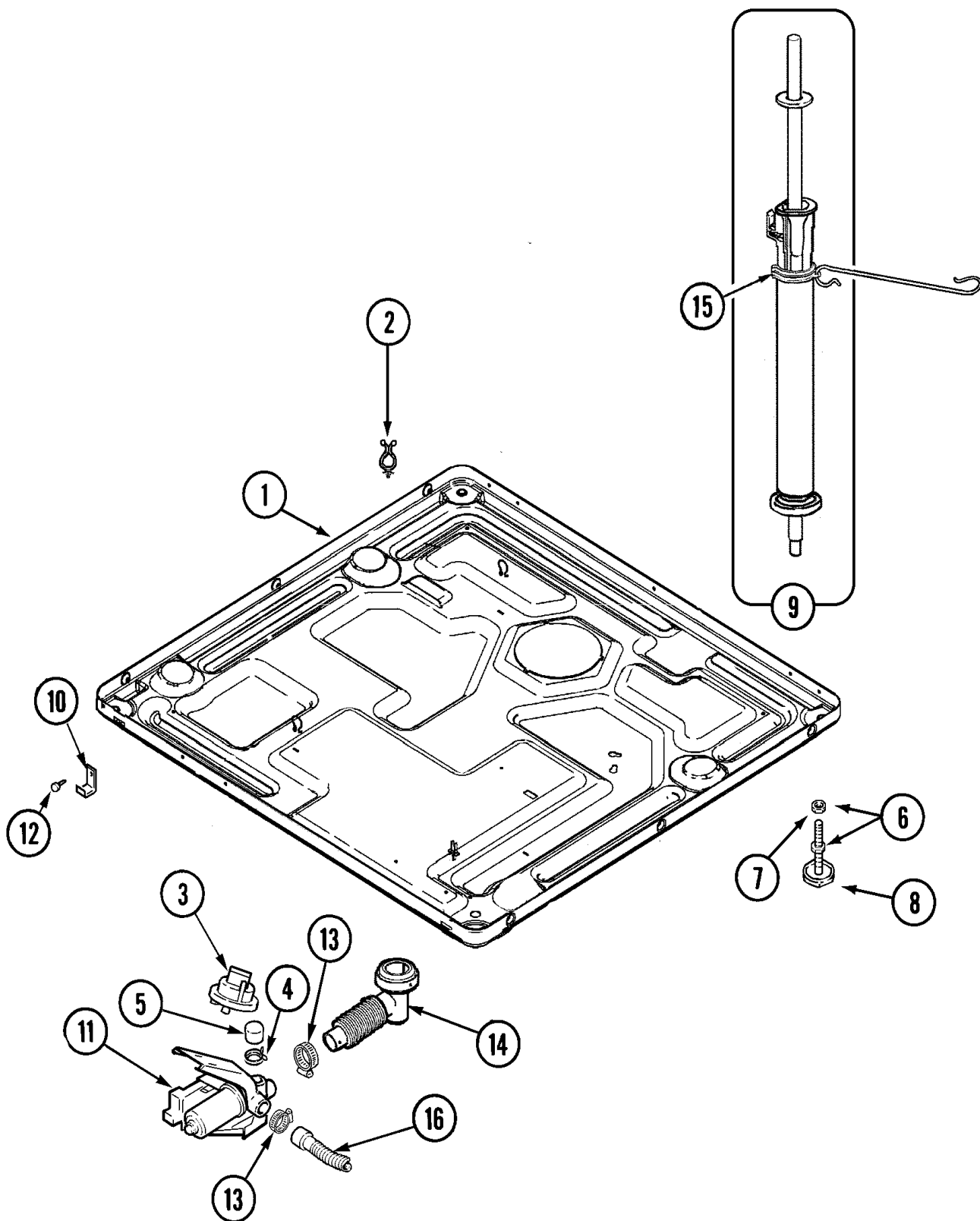
## Section: SPINNER ASSEMBLY & OUTER TUB COVER

| No. | Part No. | Description  | Series | Qty |
|-----|----------|--|--------|-----|
| 1   | 12001478 | LIP SEAL SVC ASSY.   | 10     | 1   |
| -   | 12002022 | LIP SEAL KIT Note: LIP SEAL KIT PILOT  | 98     | 1   |
| -   | 12002022 | LIP SEAL KIT   | A1     | 1   |
| 2   | 22003073 | CLAMP, HOSE DOUBLE WIRE  | 10     | 1   |
| -   | 22003925 | SPINNER SUPPORT ASSY AS PACK   | 89     | 1   |
| -   | 22004081 | SPINNER SUPPORT ASSY AS-PK KIT Note: SPINNER SUPPORT ASSY PILOT                      | 98     | 1   |
| -   | 22004081 | SPINNER SUPPORT ASSY AS-PK KIT   | A1     | 1   |
| -   | 22004108 | O RING   | A1     | 1   |
| 3   | 22002897 | SUPPORT ASSY., SPINNER   | 10     | 1   |
| -   | 22002123 | TUBE, MOLYKOTE   | 10     | 1   |
| 4   | 22002023 | WASHER, PLASTIC  | 10     | 3   |
| 5   | 22002115 | SPINNER ASSY. (W/BALANCE RING) Note: (BALANCE RING NOT AVAILABLE AS A SEPERATE PART) | 10     | 1   |
| 6   | 22002482 | WASHER, PROFILE  | 10     | 3   |
| 7   | 22002020 | WASHER, SPINNER SUPPORT  | 10     | 3   |
| 8   | 22002122 | NUT, SPINNER ATTACHMENT  | 10     | 3   |
| 9   | 22001985 | BAFFLE, DRIP (REAR)  | 10     | 3   |
| 10  | 22002009 | GROMMET, BAFFLE (REAR)   | 10     | 3   |
| 11  | 22001999 | GROMMET, BAFFLE (FRT)  | 10     | 3   |
| 12  | 22002325 | SCREW Note: SCREW, BAFFLE (REAR)   | 10     | 6   |
| 13  | 22001986 | BAFFLE, DRIP (FRONT)   | 10     | 3   |
| 14  | 22002059 | SCREW Note: SCREW, BAFFLE (FRONT)  | 10     | 6   |
| 15  | 22002077 | SEAL, TUB COVER  | 10     | 1   |
| 16  | 22002050 | CLIP, TUB TO COVER   | 10     | 13  |
| 17  | 22003212 | COVER, TUB (W/SEAL) (ASP)  | 10     | 1   |
| -   | 22004254 | COVER, TUB W/SEAL&CAPS ASPK  | A5     | 1   |
| -   | 22003326 | CLIP, HEATER HARNESS TO TUB  | 10     | 1   |
| -   | 22003081 | PLUG   | 10     | 1   |
| 18  | 12001772 | KIT, DOOR BOOT W/DRAIN   | 10     | 1   |
| 19  | 22002099 | SPRING, TUB  | 10     | 1   |
| 20  | 22002327 | BOOT CABLE CLAMP   | 10     | 1   |
| 21  | 22003074 | GUARD, HOSE  | 10     | 1   |
| 22  | 22003072 | CLAMP, HOSE DOUBLE WIRE  | 10     | 1   |
| 23  | 22003071 | DOOR BOOT DRAIN HOSE Note: HOSE, DOOR BOOT DRAIN                                     | 10     | 1   |

\*Color Code (-)=Not Shown #=Series, Serial Prefix or Run No., N=Not Available

Section: BASE

Model: MAH5500BWW



LW10-57

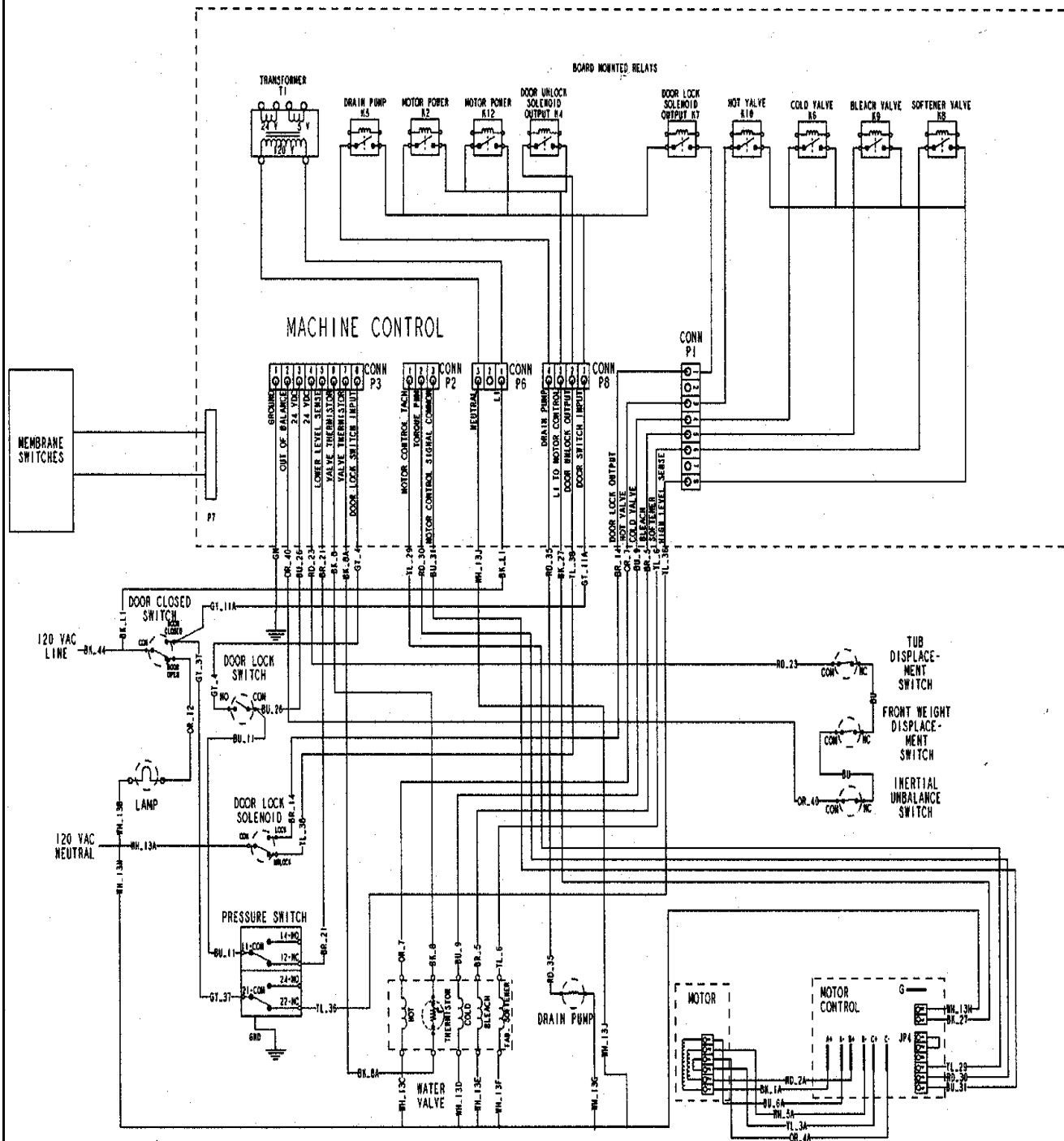
**Section: BASE**

| No. | Part No. | Description   | Series | Qty |
|-----|----------|---|--------|-----|
| 1   | 22003435 | BASE, ASSEMBLY                                      | 10     | 1   |
| -   | 22002014 | CLIP  | 10     | 1   |
| 1   | 22003580 | BASE, ASSEMBLY                                      | 67     | 1   |
| -   | 212276   | SCREW   | 10     | 1   |
| 1   | 22003605 | BASE WELD ASSEMBLY                                  | 72     | 1   |
| 2   | 22003298 | RETAINER, WIRE                                      | 10     | 3   |
| -   | 22002852 | RETAINER, WIRE Note: RETAINER, WIRE HARNESS TO BASE | 10     | 2   |
| - N | 22003265 | BAG, PLASTIC W/DRAWSTRING                           | 10     | 1   |
| 3   | 22003728 | SWITCH, PRESSURE                                    | C7     | 1   |
| 3   | 22004500 | SWITCH, PRESSURE-2 LEVEL                            | C8     | 1   |
| -   | 22003728 | SWITCH, PRESSURE                                    | 74     | 1   |
| 3   | 22004500 | SWITCH, PRESSURE-2 LEVEL                            | C4     | 1   |
| 3   | 22003250 | SWITCH, PRESSURE                                    | 10     | 1   |
| 4   | 22002853 | CLAMP, HOSE   | 10     | 1   |
| 5   | 22003268 | CAP, RUBBER   | 10     | 1   |
| 6   | 22001915 | ADJUSTABLE LEG & NUT                                | 10     | 4   |
| 7   | Y052740  | NUT   | 10     | 4   |
| 8   | 210684   | FOOT, RUBBER  | 10     | 4   |
| 9   | 22001988 | STRUT ASSY-REAR                                     | 10     | 2   |
| 10  | 22002239 | CLIP, LOWER FRONT PANEL                             | 10     | 2   |
| 11  | 22003244 | PUMP  | 10     | 1   |
| 11  | 25001012 | PUMP ISOLATOR BRACKET Note: NOT SHOWN ON GRAPHICS   | 10     | 1   |
| 12  | 22001995 | SCREW Note: SCREW, PANEL CLIP                       | 10     | 2   |
| 13  | 202515   | HOSE CLAMP - 1-1/16 INCH                            | 10     | 1   |
| 14  | 22003262 | HOSE, TUB TO PUMP                                   | 10     | 1   |
| 15  | 22003080 | CLIP, AIRDOME HOSE Note: CLIP, STRUT                | 10     | 2   |
| 16  | 12001807 | KIT NC, DRAIN HOSE REPLACEMENT                      | 10     | 1   |

\*Color Code (-)=Not Shown #=Series, Serial Prefix or Run No., N=Not Available

Section: WIRING INFORMATION

Model: MAH550BWW

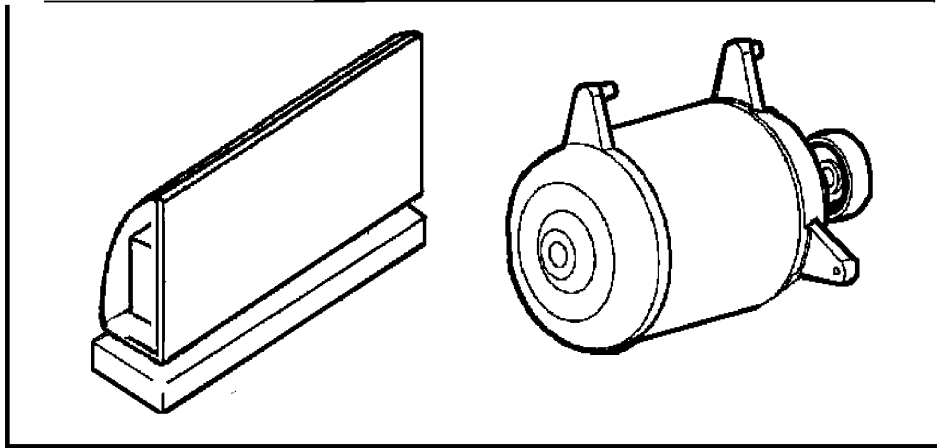


15002717









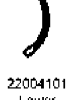

**Section: MOTOR & MOTOR SUPPORT**

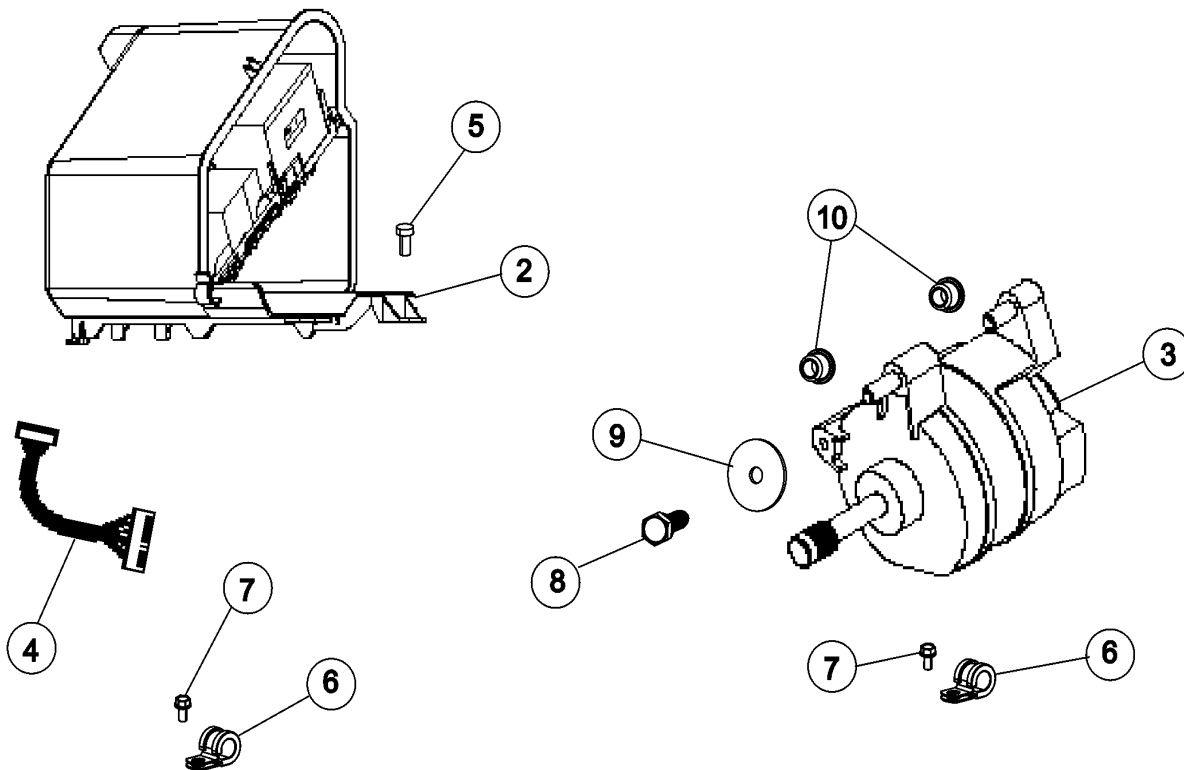
**Model: MAH5500BWW**



**1 USE FOR ITEM 2 PRIOR TO SERIES 88**

**ITEM 1 - KIT CONTAINS:**

|   |   |   |   |  |   |   |   |
|---|---|---|---|--|---|---|---|
|  |  |  |  |  |  |  |  |
| 12002040<br>Motor Isolator  | 22004046<br>Motor Control Board   | 22004047<br>Motor Harness   | 22003654<br>AC Line Filter  | 22004102<br>"P" Clips (2)  | 22002300<br>Screw - "P" Clip to Motor   | 22004101<br>Lower Jumper Wire harness   | 22004103<br>Ground Screw  |



LW14-28



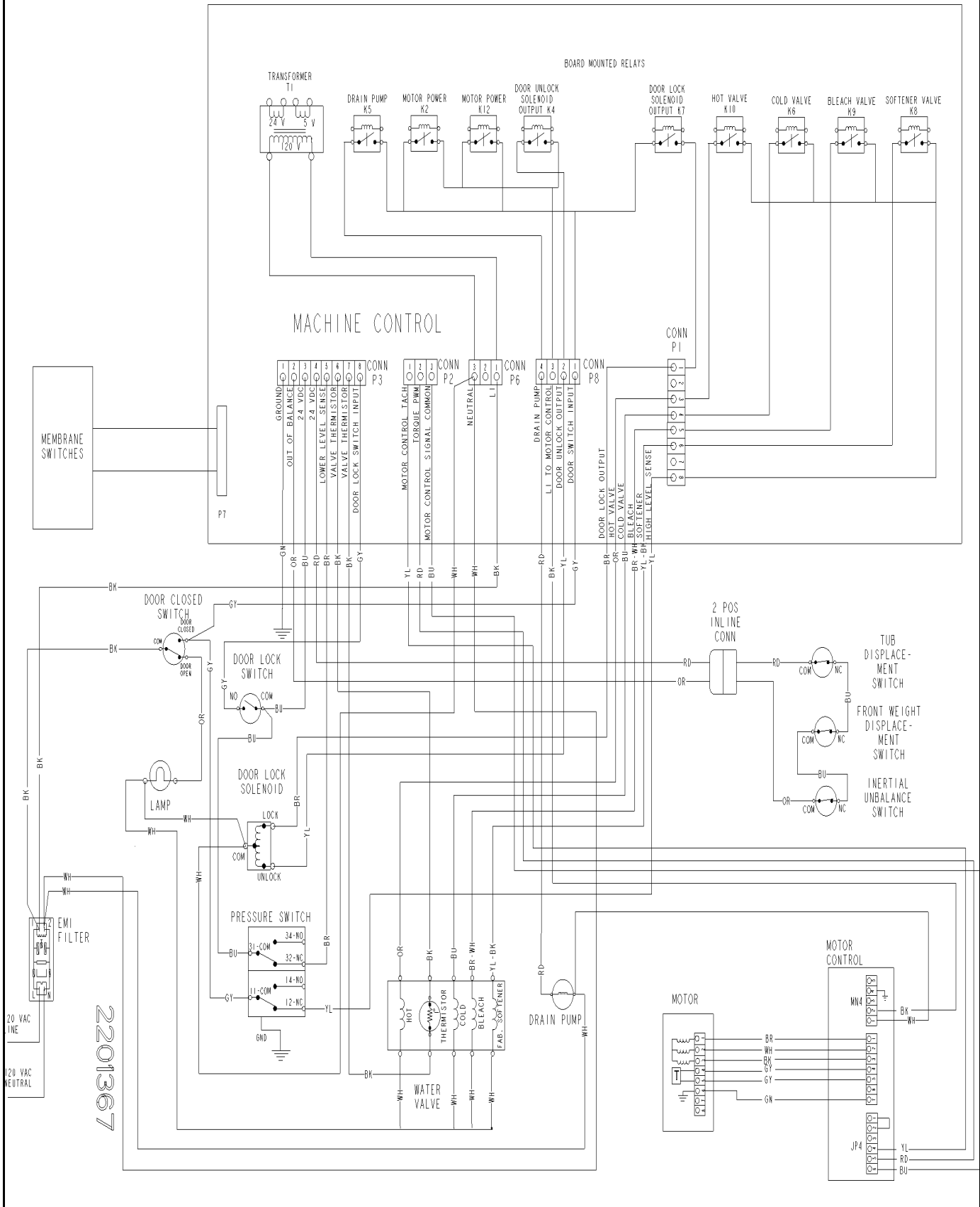
## Section: MOTOR & MOTOR SUPPORT

| No. | Part No. | Description                  | Series | Qty |
|-----|----------|------------------------------|--------|-----|
| 1   | 12002039 | NEPTUNE MOTOR CONVERSION KIT | 10     | 1   |
| 2   | 22001995 | SCREW                        | C3     | 1   |
| 2   | 22004046 | CONTROL ASSY., MOTOR         | 88     | 1   |
| 2   | 22001995 | SCREW                        | B8     | 2   |
| 2   | 22004473 | MOTOR CONTROL ASSEMBLY       | B8     | 1   |
| 2   | 22004473 | MOTOR CONTROL ASSEMBLY       | C1     | 1   |
| 2   | 22004473 | MOTOR CONTROL ASSEMBLY       | C3     | 1   |
| 2   | 22001995 | SCREW                        | C1     | 1   |
| 2   | 12002039 | NEPTUNE MOTOR CONVERSION KIT | 10     | 1   |
| 3   | 22003442 | MOTOR, (156 T) 60HZ 120V     | 10     | 1   |
| 3   | 22003856 | MOTOR, VARIABLE SPEED        | 88     | 1   |
| 4   | 22004047 | HARNESS, MOTOR/MOTOR CONTROL | 88     | 1   |
| 4   | 2205140  | HARNESS, WIRE                | C3     | 1   |
| 4   | 22003855 | HARNESS, MOTOR/MOTOR CONTROL | 91     | 1   |
| 4   | 22004047 | HARNESS, MOTOR/MOTOR CONTROL | 85     | 1   |
| 4   | 2205140  | HARNESS, WIRE                | B8     | 1   |
| 5   | 212276   | SCREW                        | 10     | 2   |
| 6   | 22002173 | CLIP, WIRE HARNESS           | 10     | 2   |
| 7   | 310632   | SCREW                        | 10     | 2   |
| 8   | 22003686 | BOLT, MOTOR                  | 73     | 1   |
| 8   | 22002058 | BOLT, MOTOR                  | 10     | 1   |
| 9   | 22002086 | ADJUSTER, BELT TENSION       | 10     | 1   |
| 10  | 22003226 | ISOLATOR, MOTOR (POLY)       | 10     | 2   |

\*Color Code (-)=Not Shown #=Series, Serial Prefix or Run No., N=Not Available

# Section: WIRING INFORMATION

Model: MAH5500BWW

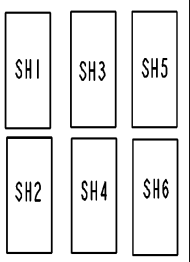


2201367

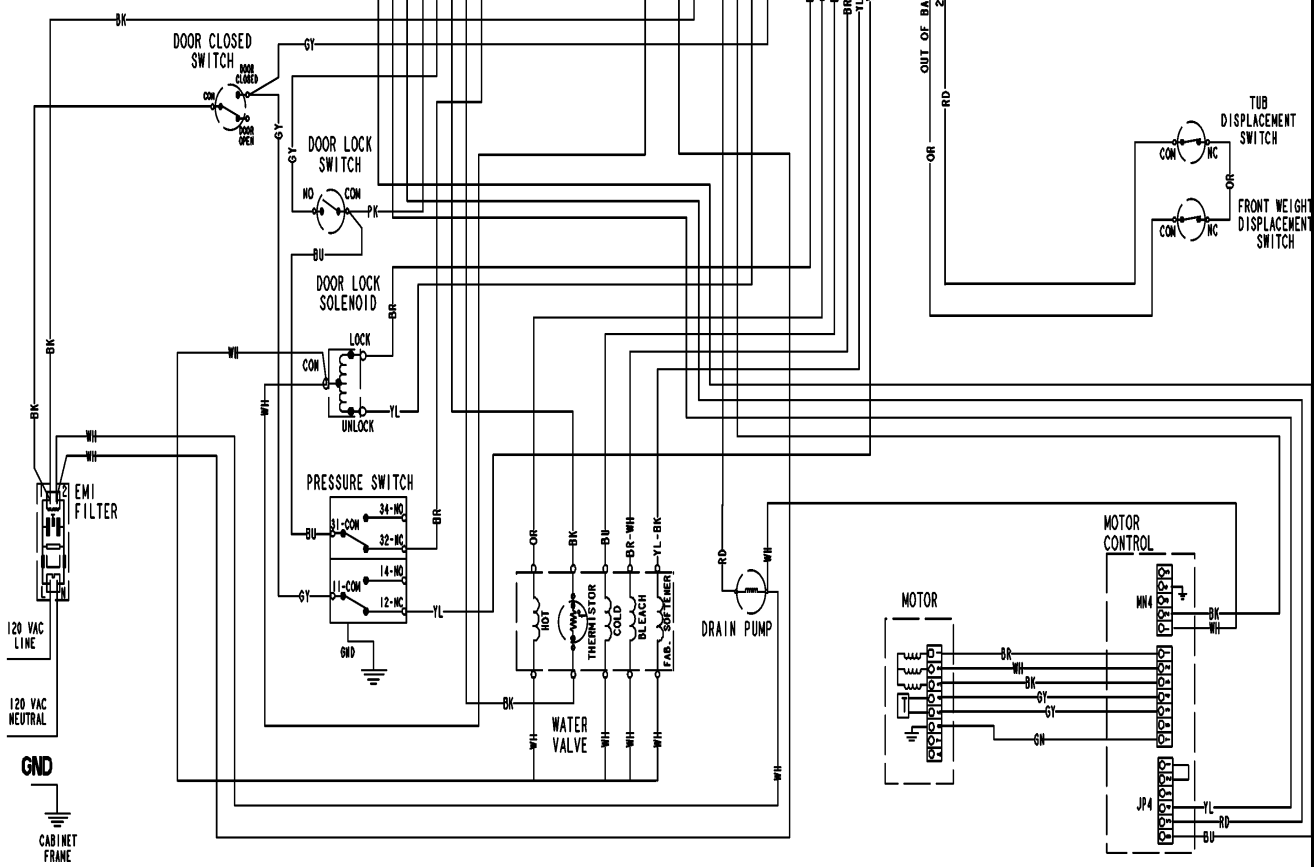
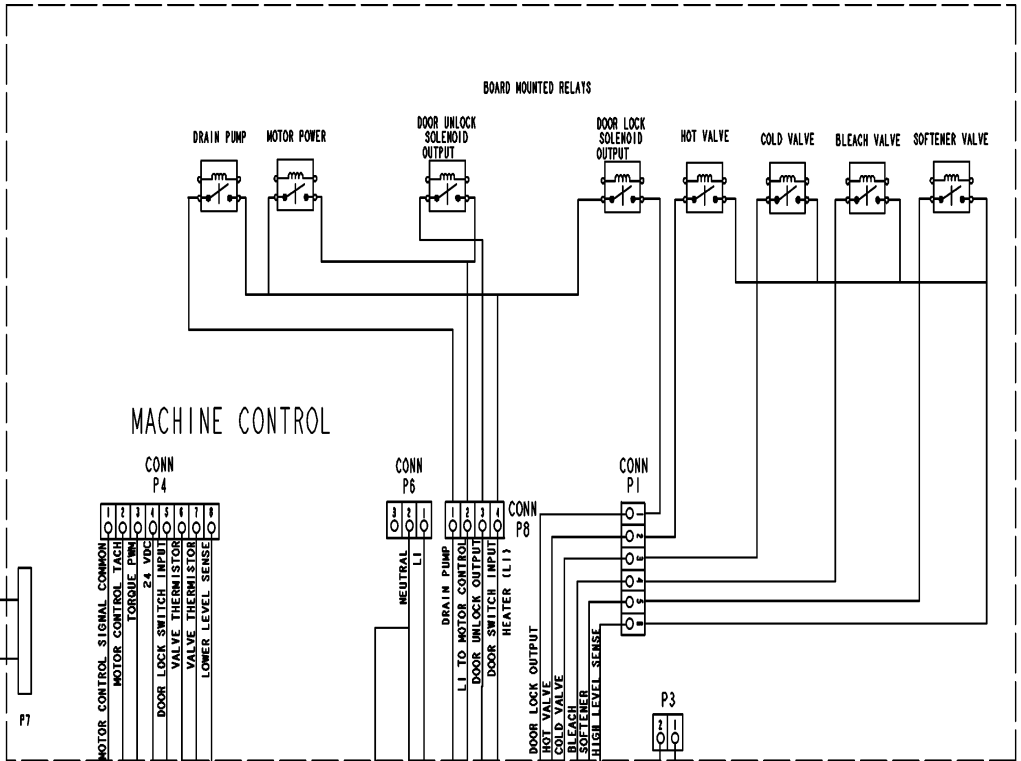
15003570

# Section: WIRING INFORMATION

Model: MAH5500BWW



PAGE LAYOUT SEE NOTE 7



15003674

